

*P. J. Section - [unclear]*

GENERAL HEADQUARTERS  
SOUTHWEST PACIFIC AREA  
MILITARY INTELLIGENCE SECTION, GENERAL STAFF

G-2 INFORMATION BULLETIN

THE GUERRILLA RESISTANCE MOVEMENT ON MINDANAO AND SULU

Copy No. 12

DATE  
31 January 1945

CONTENTS

	<u>PAGE</u>
I. INTRODUCTION . . . . .	1
II. THE 10TH MD COMMAND AND CURRENT SITUATION. . . . .	2
III. DEVELOPMENT OF THE DIVISIONS OF THE COMMAND	
105th Div Area - Zamboanga & Misamis Occ . . . . .	4
108th Div Area & "A" Corps Organization - Lanao. . . . .	6
109th Div Area - Cagayan de Misamis Area & Bukidnon. . . . .	11
110th Div Area - Northern Agusan & Surigao . . . . .	12
106th Div Area - Cotabato. . . . .	15
107th Div Area - Southern Agusan & Davao . . . . .	17
IV. SULU AREA COMMAND. . . . .	19
V. INDEX & LIST OF PERSONALITIES. . . . .	24

ACCOMPANYING ENCLOSURES

- Map: Mindanao Guerrilla Organization
- Map: Sulu Guerrilla Organization

DECLASSIFIED PER JCS LTR OF  
20 AUG. 75



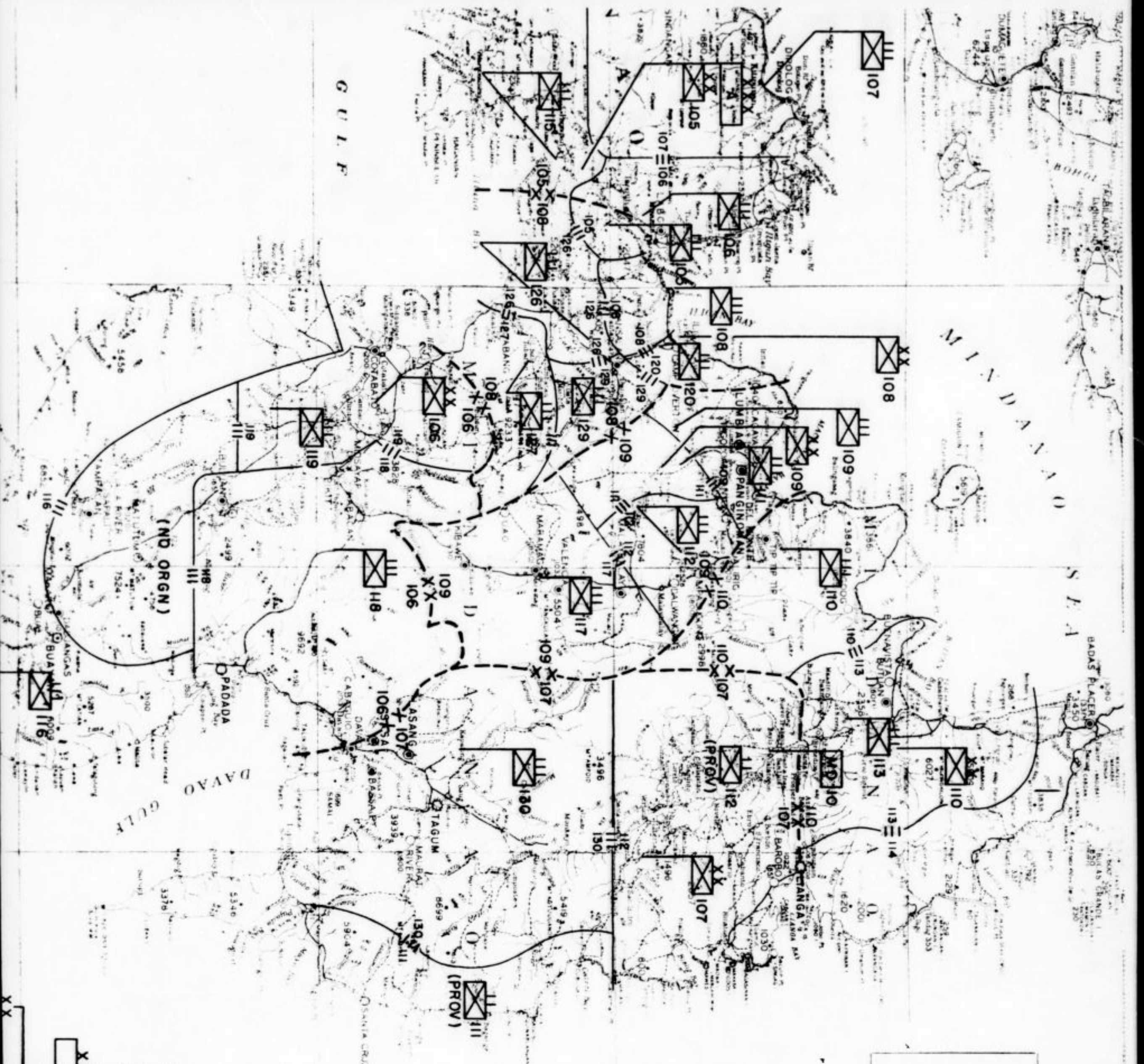
~~SECRET~~

# MINDANAO

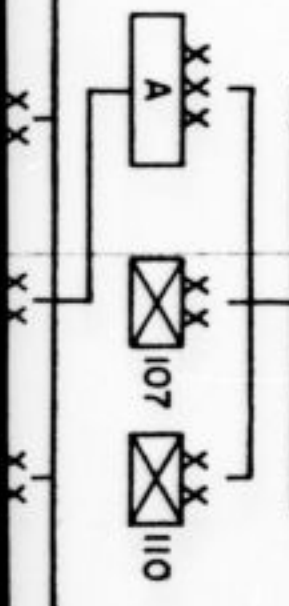
GENERAL HEADQUARTERS  
SOUTH WEST PACIFIC AREA  
Military Intelligence Section  
General Staff  
GUERRILLA FORCE  
ORGANIZATION  
31 JANUARY 1945



DIVISIONAL ORGANIZATIONS ARE NOT OFFICIALLY RECOGNIZED AND REPRESENT ADMINISTRATIVE BOUNDARIES ONLY.



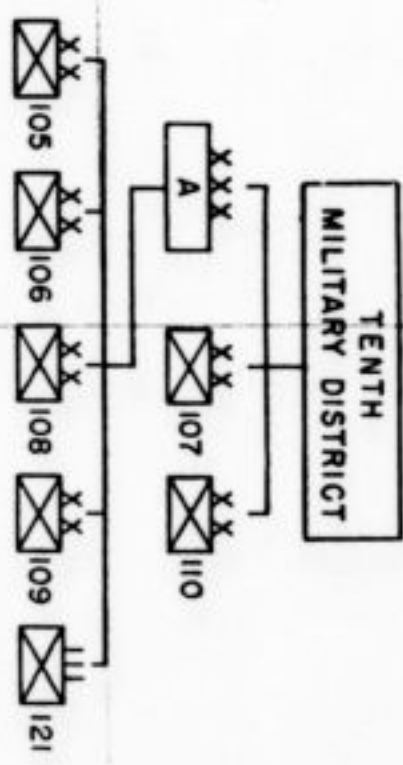
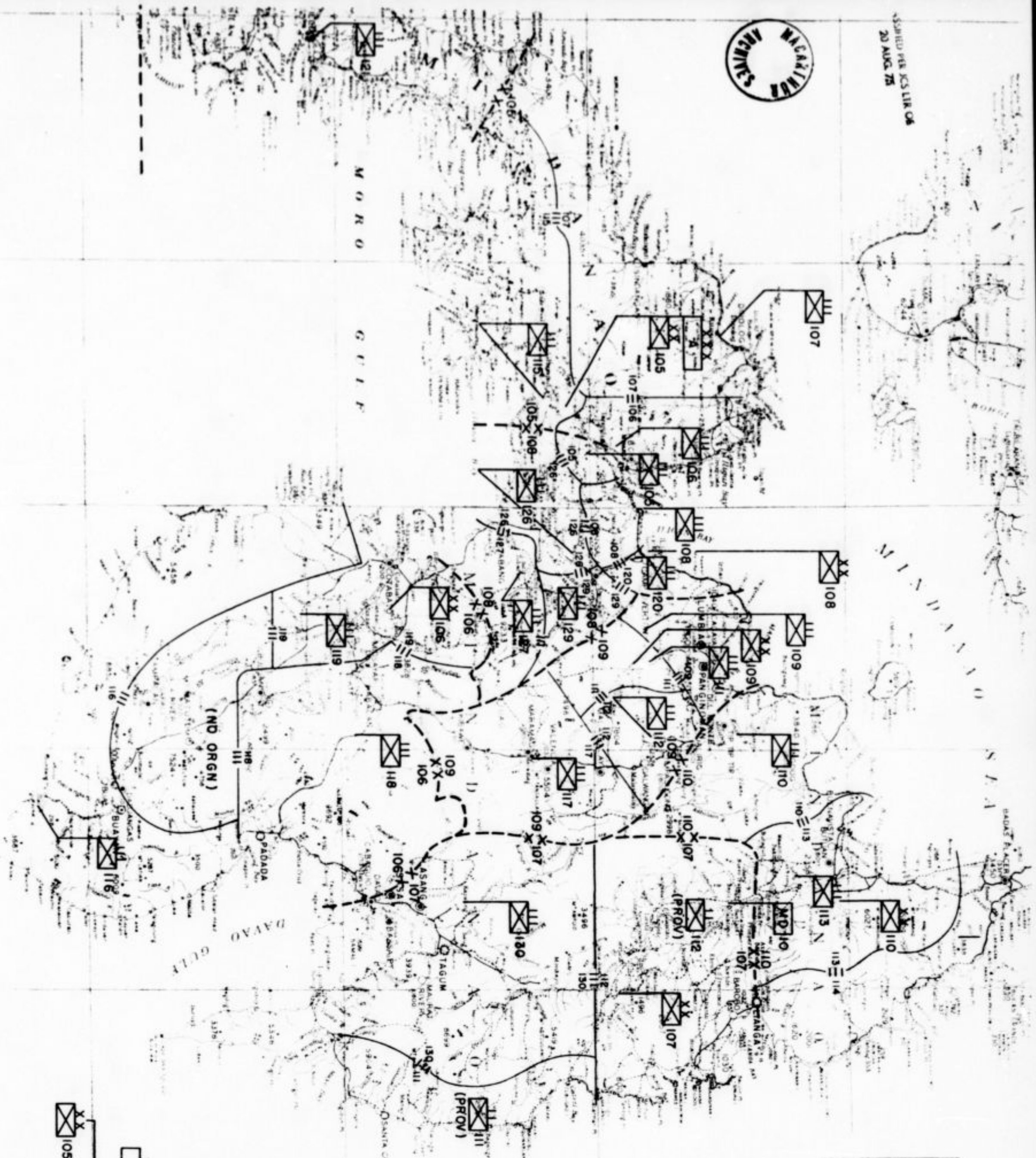
TENTH  
MILITARY DISTRICT







CLASSIFIED PER JCS LTR 04  
20 AUG 75



SECRET

**MINDANAO**  
 GENERAL HEADQUARTERS  
 SOUTH WEST PACIFIC AREA  
 Military Intelligence Section  
 General Staff  
 GUERRILLA FORCE  
 ORGANIZATION  
 31 JANUARY 1945

0 10 20 30 40 50  
STATUTE MILES

DIVISIONAL ORGANIZATIONS ARE NOT OFFICIALLY RECOGNIZED AND REPRESENT ADMINISTRATIVE BOUNDARIES ONLY.



DISCLASSIFIED PER JCS LTR 04  
20 AUG 75

~~SECRET~~

		<u>PAGE</u>
TIO, Lt Konglam	Early guerrilla leader Siasi Sector; now has weather station on Tawi Tawi.	20,21
TOMANNING, Capt	Guerrilla leader in Lianga, Surigao.	14
TRESPECES, Lt Alejandro	Ex O, Sulu Area Command.	20,21
UDTOG, Datu Matalam	Moro, early Cotabato guerrilla leader, brother-in-law to PENDATUN.	15,16
UMPA, Malamit	Moro from Madamba, outstanding courageous, one of Lt Col HEDGES' most trusted officers.	
USMAN, Lt Sabtal	Moro, helped SUAREZ escape in Cotabato in 1942; now on duty Sulu Area Command, 1st Bn Basbas, Tawi Tawi.	22
VALERA, Lt Jose	Had contact with NE Borneo; now on special mission to N Luzon.	22
VALMORES, Capt Celso	G-1, 108th Div, Lanao.	10
VELASCO, Maj Dionisio	PC, Adj & G-1, 110th Div; to be watched.	14
VELASQUES, 3rd Lt Maximiano	Adj (?), Sulu Area Command, former supervising teacher in Siasi.	
VENTURA, Lt Raymando	CO, Vitali (Zamboanga) Sector, late 1942.	
VILLAMOR	Guerrilla leader between Davao Gulf & Sarangani Bay.	16
VILLAMOR, Maj J. A.	On special mission from SWPA in 1943, was located in S Negros.	8,12
VILLARIN, Lt	Early guerrilla leader at Lingig, Surigao	18
WILLS, Capt Donald	G-3, "A" Corps.	11
WILSON, Lt Owen	CO, 111th Prov Bn, Davao.	18,19
WILSON, Comdr Samuel	USNR; joined BOWLER at Talakag, Sept 1942; excellent officer & invaluable service with Mindanao Currency Board. Evacuated to New Guinea & the US, Nov 1944.	
YOUNG, Capt Frank	Assisting Col SUAREZ, Sulu.	21
ZAPANTA, Capt Vincente	Skipper of "Athena", supply banca.	15

DECLASSIFIED PER JCS LTR ON  
20 AUG. 75



- 30 -

~~SECRET~~



	<u>PAGE</u>
PINEDA, Lt B.	S-2, under ALARCON, Zamboanga City area early 1943. 4
QUEJADA, Maj	CO (?), 108th Regt, Lanao. 10
RAMOS, Lt	Guerrilla at Buenavista, Agusan, March 1943.
RAMOS, Gualberto G., 3rd Lt	S-4, 1st Bn, MMF, Dec 1942, Lanao.
RATAG, Lt Ismael	G-2, Sulu Area Command. 21,22
RIVERA, Maj	Ex O & S-2130th Regt, Davao 19
ROMERO, Lt V.	S-4, 121st Regt, mid-1943. 4
SAMPLANO, Datu	Sultan sa Barurao, on coast E of Malabang, Lanao. One of few clean handed Moros on the coast, protects Christians, working with guerrillas.
SANGUILA, Joseph	Moro from Mumay, did much to mini- mize Moro-Christian outbreaks, in- volved with MORGAN against FERTIG in 1943. 9
SANTILLANA, Lt	Guerrilla in Zamboanga City area 1943. 5
SAPON, Lt	CO, Curuan (Zamboanga) Sector, end 1942.
SAPUL, Lt Julhari	On duty, 15th Bn, Sulu Area Command, former teacher & ROTC graduate.
SAIPUDIN, Lt Jacudin	On duty, Sulu Area Command, former teacher & ROTC graduate.
SHARP, Maj Gen William	CO, USAFFE Visayan-Mindanao Force. 6
SHOFNER, Maj J. C.	Davao PW escapee, guerrilla leader 114th Regt, now evacuated. 14
SIMPEK, 3rd Lt Ursula	G-3, Sulu Area Command. 20,21
SINDAGA, Lt D.	Leader 1st Bn, Layya (?), Tawi Tawi. 22
SMITH, Charles M.	Came to Australia from Mindanao 1942, now intelligence agent in PI. 2
SORLINO, Capt Doroteo	Guerrilla in Bukidnon with PENDATUN, now in Cotabato. 16
SPIELMAN, Lt Robert	Davao PW escapee; guerrilla leader 114th Regt. 14
SPERNBERG, Lt Adolph	Guerrilla leader & intelligence officer near Davao City. 18,19
STRATTAN, Capt Guy	Food Administrator, Sulu Area Command, former Deputy Governor of Sulu.
STRATTAN, Sgt	Leader, 1st Bn, Teham, Tawi Tawi. 22
SUAREZ, Col Alejandro	CO, Sulu Area Command. 2,11,20,21,22,23
SURLAN, Lt Taib P.	Leader 3rd Bn, Mt Tumantangis, Jolo.
TAHIR, Lt Pantaril	On duty 2nd Bn, Sulu Area Command, former teacher & ROTC graduate.
TADURAN, Maj Juan K.	Early guerrilla in Lanao, now G-3, 108th Div. 10
TAGALOG, Pvt	Leader 1st Bn, Laun Tabuan, S Ubian. 22
TULAWIE, Capt Arolas	Guerrilla leader Bilaan (Jolo) sector. 20
TAMBUYONG, Datu	Moro, chief friendly leader in E Jolo. 20
TAMPUGAO, Datu	Moro guerrilla leader at Tuburan, Lanao.
TAN, 2nd Lt Anton	School teacher & reserve officer; Chinese-Moro mestizo from Sibutu, brother of Usop TAN, puppet official in Jolo; CO, Hq Service CO, Sulu Area Command. 20
TATE, Capt William	Early guerrilla leader, Lanao Prov, 4,5,7 assisted MORGAN drive Japanese from Misamis Occ.
TEANO, Lt Col Justino	PA, on staff 105th Div. 5,6
TEJERO, Capt	Sta Filomena, Jan 1943.
THOMAS, Maj Chandler B.	G-2, "A" Corps (?) 10
THOMAS, Lt Richard	Former G-3, 110th Div; now operates CW station on Cemiguin Id. 14

DECLASSIFIED PER ACS LTR OF  
20 AUG. 75



~~SECRET~~

	<u>PAGE</u>
LUDUM, Lt A.	22
LUZ, Capt	13
McCARTHY, Capt Frank	4,5
McCARTHY, Joe	13
McCLISH, Lt Col Ernest E.	14,15
McGEE, Lt Col Frank	16,17
McINTYRE, M/Sgt Alfredo	13
McLAUGHLIN, Capt William L. F.	12
MALCUMPO, Lt Gerardo	4
MAMA, Lt	4
MAMARINTA, Capt (LAC?)	Reported to have had a good deal with bringing Lanao Moros into 108th Div command.
MANARUNDUNG, Datu Kali	Native of Gaas, Lanao. Active guerrilla leader on Ganassi-Malabang Road.
MANEJA, Capt Jose	19
MANGAOIL, Capt	19
MARSHALL, Capt Paul H.	14,15
MATAS, Maj	16
MAUT, Lt Saberalem	On duty, Sulu Area Command, former teacher & ROTC graduate.
MEDINA, Maj. Angel	5,6
MINDALANO, Capt Manalao	7,9
MONEY, Lt Willard T.	13
MONTALVAN, Antonio	Brother to Jesus MONTALVAN; is Luzon agent.
MONTALVAN, Capt Jesus J.	10th MD, G-2, March 1944.
MONTERON, 3rd Lt.	Tagalog, former Deputy Treasurer, Sulu; now Free Sulu Govt Auditor & authenticates Sulu Emergency Currency.
MORGAN, Capt Luis	Early guerrilla leader in 1,2,4,5,7,8,13 Lanao, guerrilla organizer & C/S, 10th MD until Sept 1943.
MORTERA, Lt Col Ciriaco	Formerly CO 105th Div, now AG "A" Corps. 6,11
MURPHY, Lt Andrew	Early leader, N coast Lanao; American mestizo.
NAIN, Chief	Guerrilla leader in 3rd Bn, Kulay-kulay, Jolo. 22
NARANJO, Capt	Prominent guerrilla leader Mis. Occ. 5
NAVARRO, Lt	Early guerrilla leader at Compostela, Davao. 18
OMBRA	See AMILBANGSA.
PACALINA, Datu	Moro guerrilla leader at Tugaya, Lanao.
PAGE, Maj Herbert	CO, 116th Regt, Cotabato. 16,17
PAISO, Marcelo T.	Governor Lanao under guerrilla regime. 4
PAROJI, Lt	Leader, 1st Bn, Cawacawa, Tawi Tawi. 22
PARSONS, Comdr C.	GHQ, SWPA, went to Mindanao in 1943 for several months. 2,3,11,16
PEDRAYA, Lt Javito	Early guerrilla leader, now Ex O, 11th Prov Bn. 18
PENDATUN, Salipida	Moro, early guerrilla leader Cotabato-Bukidnon, now CO, 118th Regt, Cotabato. 11,12,15,16,17
PEPITO, Lt	Early guerrilla leader at Suag, Davao. 18
PIANG, Datu Gumbay	Moro, guerrilla in Cotabato, joined command 1943. 15,17

DECLASSIFIED PER JCS LTR OF 20 AUG. 75

~~SECRET~~





	<u>PAGE</u>
INDANAN, Lt	21
ITUM, 3rd Lt Pajawa	
JALDON, Maj	4,5,11
JOHNSON, Lt Fred	16
JUMADIL, Lt	22
JUNTILLA, Capt Alipio M.	
KALAW, Maj Busren	9
KANGLEON, Col. Ruperto	7
KHODR, Capt Khalil	13,15
KIRAM, Lt	22
KIRAM, Sultan Jamalul	21
KNORTZ, Capt. William	13,14
KUDER, Mr Edward M.	4,9,10
KWOK, Lt Albert I. N.	22
LACSAMANA, 1st Lt Federico	
LAGMAN	
LAGINDAB, Datu	9
LAO	
LAPLAP, Maj	12
LASANG, Salvador	
LASOLA, Maj	
LASUB, Iman	4
LAURETA, Lt Col Claro	15,18,19
LAYA, Ubaldo D.	4
LECOUVRE, Lt Donald	5,6
LECOUVRE, Lt Leonard	
LEUTERIO, Vicente	11
LIM, Keng Fatt	23
LIMENA, Maj Angeles	4,10
LLUCH, Congressman Salvador T.	

DECLASSIFIED PER JCS LTR 08  
20 AUG 75





		<u>PAGE</u>
ENRIQUEZ, Lt Alfonso	Bn CO, 121st Regt mid-1943	4
FELTALVERO, Maj	PC, active in guerrilla affairs, N coast Lanao 1942 & 105th Div.	5
FENTON, Harry	Early Co-Commander Cebu guerrillas.	8
FERNANDEZ, Lt Alfredo	110th Regt, Sta Ana.	
FERNANDEZ, Lt Celso	Early guerrilla leader Zamboanga City.	4
FERNANDEZ, M/Sgt Alfredo	USAC, organized guerrilla units at Malitbog, Bukidnon.	
FERTIG, Col Wendell W.	CO, 10th MD.	
FORT, Brig Gen Guy	CO, USAFFE, 81st Div on Mindoro before surrender.	6,9,21
FORTICH, Manuel	Pre-war Bukidnon Assemblyman, assisted early Bukidnon guerrillas.	11
FREDELUCIS, Lt	S-3, 115th Regt, 1944.	6
GABUTIN, Maj Nicholas	Guerrilla leader in Bukidnon with PENDATUN; now in Cotabato	16
GADOR, Lt Col Gabriel	Guerrilla leader on Negros 1943, opposed Lt Col ABCEDE vigorously.	
GARCIA, Lt	S-2, 115th Regt, 1944	6
GARCIA, Lt Emilio	Early guerrilla leader Zamboanga City.	4
GARCIA, Lt Enrique	Early guerrilla leader Zamboanga City.	4
GARCIA, Capt P. B.	Filipino, Asst AG, "A" Corps.	
GARCIA, Maj	Leader in central Surigao	14
GARMA, Lt Col Hipolito	Present CO 105th Div	6
GOODE, Sam	One of first leaders of 114th Regt; in calaboose 10th MD.	13
GOFLER, Lt William	S-4, 114th Regt; Australian.	15
GRINSTEAD, Lt Col James	CO, 109th Div.	12
GULUNDAY, Naguib	Pre-war mayor of Malabang, Lanao, active with guerrillas.	9
GUBALLA, Capt	PC, guerrilla leader W Cotabato.	16
GULIGADO, 3rd Lt Engracio	Native of Pampanga, half brother of SUAREZ. Now CO part Sulu Area Command & authenticates Emergency Currency, Free Sulu.	
HAGGERTY, Father	Rector at the Ateneo de Cagayan before the war, of great assis- tance to guerrillas, recently evacuated for hospitalization.	11
HAMID, Capt	Moro, Ex O, 121st Regt, mid-1943.	4
HAMNER, Capt Jordan A.	Went to Australia from Mindanao with C.M. SMITH in 1942; returned to Tawi Tawi in 1943, evacuated early 1944 to Australia.	2,21
HAMOY, Lt Francisco S.	Guerrilla CO, Dapitan, Zamboanga area early 1943.	
HANSEN, Capt	Guerrilla at Surigao 114th Regt.	
HARAFIK, Lt Anton	CO, 112th Prov Bn, Agusan.	14,18,19
HAWKINS, Maj Jack	Davao PW escapee, guerrilla leader 114th Regt, evacuated 1943.	14
HEDGES, Lt Col Charles	CO, 108th Div, Lanao	3,9,10
HIPE, Leo	Filipino, was G-2 to FERTIG in 1943. Not particularly well edu- cated, used primarily in compiling reports. Did good job in confused period following Jap attack on Misamis, June 1943. PW on Luzon & later released.	
HITALIA, Lt	Adj, 115th Regt, 1944.	6
HOFER, Lt	Swiss Filipino, guerrilla on S coast Lanao.	
HUSSIN, Lt	1st Bn, S Ubien	22
IMAO, Lt Abdulrahim	Moro guerrilla Leader Zamboanga City, later guerrilla leader in Sulu.	4,20,22

DECLASSIFIED PER ACS LTR OF  
20 AUG. 75





~~SECRET~~

		<u>PAGE</u>
BALL, Capt Robert	10th MD Communications Officer, now Luzon intelligence agent.	14
BALLESTEROS, Lt	Guerrilla leader Taglibi (Jolo) sector.	20
BARRO, Capt	CO (?) 105th Regt, Lanao	10
BAXTER, Lt Thomas	Leader in attack on Butuan, Agusan, May 1943. Aggressive & fearless fighter.	13
BERENQUER, Lt C.	S-2, 121st Regt, mid-1943.	4
BITENG, "Col" Tome	Leader of small independent guer- rilla organization in Tawi Tawi area.	22
BLOTT, Capt Rex, AIF	Australian, was G-2 "A" Corps in 1943. PW, escaped from Sandakan.	
BONILLA, Capt	Active leader in attack on Butuan, May 1943.	
BOWLER, Lt Col Robert	Original CO, 109th Div, now CO, "A" Corps.	8,10,11
BUFAY, Capt Ramon	G-3, 107th Div, Davac	19
BUNTALIS, Datu	Moro from Nasiu, one of first Moros in that district to resist the Japanese, active since.	9
CABATO, Lt Ernesto	Bn CO, 121st Regt mid-1943.	4
CABILI, Capt. Tomas	Guerrilla leader with PENDATUN in Cotabato; now in Lanao.	12
CASTILLO, Capt Laurencio	Filipino in Zamboanga City area working with 121st Inf. Very reliable.	
CASTRO, Maj Crispino de	Chief of Staff, 109th Div.	12
CHAMBERLAIN, R. C.	Cpl, USMC, active in securing supplies; evacuated 1943.	20
CHILDRESS, Lt Col Clyde	Active in early history 110th Div; CO, 107th Div until evacuation Jan 1945.	13,14,17,18
COLLADO, Lt Pedro	Constabulary Pfc, guerrilla near Balingasag, Mis. Or.	13
COLONEL, 1st Lt Dominador	Native of Bulacan, only judge left in Sulu at outbreak of war. Now JAG Sulu Area Command.	
CONROY, Capt	Ex. O., 115th Regt, 1944	6
CRUZ, Maj. J. S.	CO, 111th Regt, Bukidnon.	12
CRUZ, Lt Juan de la	MORGAN appointed CO Ganassi, Lanao, 1943. Probably not there now.	
CUNANAN, Maj Benito	CO guerrillas on Siquijor Id 1943.	7
CURAMING, Maj Amendo	Early guerrilla in Lanao, now G-2, 108th Div.	10
CUSHING, James	CO, Cebu guerrillas.	8
DAGALANGIT, Datu Kaykay	Moro guerrilla leader near Tamparan, Lanao.	
DATILES, Lt A.	Guerrilla leader Luuc (Jolo) sector.	20,22
DIAZ, Macario	Leader in Masgad, Surigao.	
DIAZ, Capt	Guerrilla at Surigao, March 1943.	14
DILANGALAN, Datu Mantil	Moro, early guerrilla leader Cotabato.	15,16,17
DIMALOANG, Datu	Guerrilla datu, active in Tamparan area, Lanao.	
DINO, Capt Anacleto	Formerly G-2 "A" Corps.	11
DIPATUAN, Agucm	Sultan sa Ganassi, Moro guerrilla leader at Ganassi, Lanao.	
DISMAL, Capt. Joaquin	Early guerrilla leader Misamis Occ.	5
DOBERVICH, Maj M.	Davac PW escapee; guerrilla leader 114th Regt; evacuated 1943.	14
DONGALLO, Rosaurio	CO, 110th Regt.	13,15
DUGENIO, Lt Fausto	G-2, 110th Div.	15
ENCALLADO, Lt Nicholas	Early leader, N coast Lanao.	

DECLASSIFIED PER JCS LTR OF  
20 AUG 75

- 25 -

~~SECRET~~



~~SECRET~~

V. INDEX AND LIST OF PERSONALITIES:

		<u>PAGE</u>
ABBOTT, Pfc Clyde M.	14th Bomb Sq; guerrilla near Balingasag, Mis. Or.	13
ABDUL, Lt	Guerrilla leader in 1st Bn, 125th Regt, Sibutu	22
ABDULASI, Lt	Guerrilla leader in 3rd Bn, 125th Regt, Pangutaran, Jolo	22
ABELLANOSA, Capt Ricardo	G-4, 108th Div, Lanao	10
ABUBAKAR, Datu	Active Moro guerrilla on Ganassi-Malabang Rd. Native of Uyaan, Lanao.	
AGGA, Lt. E.	Guerrilla leader Karunglung (Jolo) sector	20
AGUAM, Pandandaman P.	Lanao Moro, pre-war school teacher, very intelligent & exceptionally honest, of growing influence, working with guerrillas.	
AGUAM, Datu Dipatuan	Pre-war Mayor of Ganassi, Lanao, one of leading Moros.	
AGUILAR, Capt Virgilio S.	Former G-2 110th Div; now G-2 107th Div.	14,19
ALARCON, Lt	Early guerrilla CO, Zamboanga City area.	4,5
ALI, Lt A.	Guerrilla leader Maimbung (Jolo) sector.	20
ALI, Lt M.	Guerrilla leader Tandubas Id, Tawi Tawi.	22
ALIMAN, Datu	Moro, early guerrilla leader Cotabato.	15,16
ALUG, Datu Miguel	Moro guerrilla leader at Nunungan, Lanao.	
ALONTO, Senator Aluye	Sultan sa RIMAIN, represented Moros to the Japanese, avoided too open collaboration(?), recently reported to have turned back to the guerrillas, one of the most prominent Moros in Lanao.	
AMILBANGSA, Sultan Ombra	Leading Moro on Jolo, pro-Japanese, puppet governor of Sulu; commonly known as Ombra	20
AMING, Lt	2nd Bn, Pandan, Tapul (125th Regt).	22
ANDRES, Capt Pedro	Early guerrilla leader, Lanao, now CO 120th Regt.	7,10
ANDREWS, Lt Col Edwin	C/S to PENDATUN when latter was guerrilla leader in Bukidnon. ANDREWS evacuated from Negros to Loyte, 1945.	12,16
ANNI, Imam	Guerrilla leader in 1st Bn, 125th Regt, Sitangkai, Tumindao	22
ARBOLEDA, Capt Isaias	G-1, "A" Corps	11
ARUMPAC, Capt Macaurog	Moro, early guerrilla leader in Lanao, now CO 124th Regt.	9
ASAKIL, Lt	Bn CO, 121st Regt mid-1943.	4
ASIS, Capt	Early guerrilla leader at Caraga, Davao	18
BAGES, Lt Hosim	G-4, Sulu Area Command; now 3rd Bn, Lumakid, Jolo (?).	21,22
BAGUINDALI, Anonngo	Moro, early guerrilla leader in Lanao, now CO 128th Regt.	9
BAHJIN, Lt	Guerrilla leader in 3rd Bn, Mt Bagsak, Jolo (125th Regt).	22
BALA, Capt Regalo	Adj, 108th Div, Lanao.	10
BALAJADIA, Lt	CO, Saloon (Zamboanga) Sector, end 1942.	

DECLASSIFIED PER JCS LTR OF  
20 AUG. 75

- 24 -

~~SECRET~~





~~SECRET~~

again to Tawi Tawi in June 1943 with money and much needed medical supplies and stayed until September.

In October 1943, the guerrillas attacked Jesselton and held the town for two days. The Japanese retaliated with a large attack and drove the guerrillas into the hills. The organization was reported to have dispersed and KWOK returned to Jesselton. It is rumored that he was killed in January 1944. Contact is still maintained between Col. SUAREZ and Lem King FAT of the Jesselton guerrilla unit.

DECLASSIFIED PER JCS LTR 06  
20 AUG 75

- 23 -

~~SECRET~~



The dispositions and local COs of the Sulu Area Command in December 1944 were:

1st Bn. Tawi Tawi Area, CO unknown			
South Ubian		Lt. HUSSIN	115
Laum Tabauan	S. Ubian	Pvt TAGALOG	10
Basbas	Tawi Tawi	Lt. Sabtal USMAN	115
Suba Luson	Tawi Tawi	Lt. INANAN	50
Tehem	Tawi Tawi	Sgt STRATTAN	115
Cawacawa	Tawi Tawi	Lt. PAROJI	40
Tumngol	Tawi Tawi	Lt. DATILES	12
Languyon	Tawi Tawi	Lt. A. LUDUM	115
Layya	Tawi Tawi(?)	Lt. D. SINDAGA	80
Sapa	Tandubas	Lt. M. ALI	80
Sibutu		Lt. ABDUL	25
Sitangkai	Tumindao	Imam ANNI	60
Lookan	Banaran	Capt Ismael RMTAG	65
2nd Bn. Siasi-Tapul Area, CO unknown			
Kontod	Siasi	Capt Abdurahim DMO	115
Pandan	Tapul	Lt. AMING	15
3rd Bn. Jolo Area, CO unknown			
Lumakid	Jolo	Capt S. Hasin BAGIS	80
Mt Tumentangis	Jolo	Lt. Taib P. SURIAN	70
Mt Bagsak	Jolo	Lt. BAHJIN	50
Ipil	Jolo	Lt. JUMADIL	115
Lumapidmarsh	Jolo	Lt. KIRAM	60
Kalaykulay	Jolo	Chief NAIN	30
Pangutaran	Jolo	Lt. ABDULASI	60
Total			1,477

Guerrilla activity has increased throughout the Sulu within the past several months. The patriots on Siasi have regrouped their forces and now control most of the island. On Jolo the Jap Constabulary garrison has dispersed, most of the members surrendered to the guerrillas and the puppet government is reported to have been captured.

Independent Guerrilla: "Colonel" Tame BITENG is the leader of a small independent guerrilla organization in the Tawi Tawi area. Very little is known of this unit but it is believed that he is an ex-USAFPE officer from Pansy whose outfit is concerned mostly with shipping rice to North Borneo. He has not cooperated with Col. SUAREZ but expressed his willingness to take instructions from GHQ. He sent a mission to Australia in mid-1944 and BITENG himself came to Leyte in November. What has happened to the unit is not known.

Borneo Area: The Sulu Area Command has had contact with most parts of northeast Borneo largely through the assistance of Lt. Jose VALERA (now on special mission to northern Luzon). A patrol early in 1943 obtained contributions of money and arms from patriotic civilians along the Borneo coast and later expeditions have been able to capture arms and ammunition from the Japanese and puppet troops in that area. In April 1943, contact was also made with a Chinese-led guerrilla band of about 300 men operating east of Jesselton in North Borneo. The organizer and leader of this unit, Albert I. N. KWOK, was commissioned a 3rd Lt. by Colonel FERTIG and his unit was attached unofficially to the Sulu Area Command at KWOK's request.

KWOK claimed to be a Chinese doctor, in the Medical Corps, Chinese Army, until 1937 when he was assigned to intelligence in Malaya and Sarawak. After the occupation of Borneo, he organized a small guerrilla unit near the Japanese garrison at Jesselton. He heard of Col. SUAREZ through a Moro trader and persuaded the trader to take him to Tawi Tawi, arriving in May 1943. He went back to Borneo, came



DECLASSIFIED PER ACS LTR ON 20 AUG 75



~~SECRET~~

Provincial PC Commander of Cagayan Province when war broke out and was transferred to Sulu as Provincial Governor in 1941. When the Japanese landed at Taglibi, Jolo, in December 1941, SUAREZ was wounded in the fighting but escaped to Mindanao and served under General FORT. He surrendered with General FORT, was taken to Cotabato by the Japanese and appointed Bureau of Constabulary Commander for that Province. In January 1943 he escaped to Tawi Tawi. He is reliable, capable, knows the Moros well, is respected and has many friends among them.

A rudimentary free government was set up, supplies organized and emergency currency was printed. The 125th Regiment was organized into three battalions, the first on Tawi Tawi, approximately 350 men; the second on Siasi, about 250 men; and the third on Jolo, about 200 men. SUAREZ' Headquarters was on the Malum River near Bato Bato. The force is run almost entirely by his lieutenants.

Action against the Japanese was limited as arms and ammunition were extremely scarce. The Third Battalion was dispersed in August 1943 and many of the members went to Siasi. Siasi was heavily attacked in September and the guerrillas dispersed, many to Tawi Tawi. The Tawi Tawi area was then attacked late in 1943 and has only recently recovered from the pressure.

R. C. CHAMBERLAIN, Corporal, USMC, arrived on Tawi Tawi in early 1943 and was active collecting supplies from Borneo. CHAMBERLAIN escaped from Corregidor in 1942 and arrived on Tawi Tawi after an eventful trip to Panay, Palawan and Borneo. He went to Mindanao in March, returned to Tawi Tawi for a brief mission and was evacuated from Mindanao in late 1943. In mid-1943 several Australian officers and EM escaped from the PW camp at Sandakan, British North Borneo, and arrived on Tawi Tawi. From then until November of the same year when they left for Mindanao, they assisted SUAREZ in organizing and training his guerrillas and led several successful attacks on the Japanese garrison at Bato Bato.

Capt. Frank YOUNG, an American mestizo who was sent to Australia in mid-1942 by Col. THORP, Central Luzon guerrilla leader, went to Tawi Tawi with Capt. Jordan A. HAMNER from SWPA in mid-1943 on a special mission. He is now assisting Col. SUAREZ; Capt. HAMNER was evacuated in early 1944. Lt. TIO came to Australia from Tawi Tawi in early 1944 but was returned later and is now on duty with SUAREZ on a special mission.

Sulu Area Command: Because supply and communication lines from Mindanao were tenuous, Sulu was separated from the Mindanao Command. Col. SUAREZ was appointed Sulu Area Commander in February 1944 and the area has been supplied separately. Col. SUAREZ was appointed CO at the time when his forces were at lowest ebb, and it appeared that the Sulu guerrillas would disintegrate. Col. SUAREZ managed to reorganize them with the help of small amounts of supplies from SWPA. The staff officers, so far as is known, in early 1944 were:

CO	: Colonel Alejandro SUAREZ, PA
Ex O	: 1st Lt. Alejandro TRESPECKS
G-2	: 1st Lt. Ismael RATAG
G-3	: 3rd Lt. Ursula SIMPEK
G-4	: 1st Lt. Hasim BAGIS

UNCLASSIFIED PER JCS LTR ON  
20 AUG 75

RATAG is a Moro from Simunul, ROTC graduate with reserve commission. SIMPECK was a former USAFFE sergeant from Davao, went to Siasi with Lt. BMAO in December 1942, described as unstable and easily confused. BAGIS is an Arab-Moro mestizo, brother to the acting puppet governor of Sulu.

~~SECRET~~



~~SECRET~~

Tawi Tawi Area: 1st Lt. Alejandro TRESPECES was the PC commander in the Tawi Tawi area when war broke out. His food stocks and supplies on Bongao were low and after the surrender he moved to Bato Bato. He had 30 men under arms at Bato Bato when Col. SUAREZ arrived in January 1943. A Lt. Anton TAN, school teacher and Reserve Officer in Jolo, was with the Jolo USAFFE force in December 1941, escaped when these troops dispersed, and went to Sibutu to join the guerrillas.

Siasi-Jolo Area and Early Combined Command Attempt: When Capt. MORGAN visited Zamboanga in November 1942 he sent Lt. Abdulrahim IMAO, a Jolo Moro, from Zamboanga to organize the Sulu guerrillas. IMAO with Sgt. Ursula SIMPEK arrived on Siasi in December 1942. A guerrilla unit with few arms was organized on Siasi, attacked the Japanese garrison and captured 30 rifles on 25 December 1942. Japanese forces attacked the Siasi guerrillas early in 1943 but the organization remained intact.

In the meantime progress was made with the so-called Sulu Command. Contacts had been made and the following sectors were organized:

Siasi Sector	Lt. Konglam TIO
Tawi Tawi Sector	Lt. Alejandro TRESPECES
Silangkan (Jolo) Sector	Lt. Abdulrahim IMAO
Maimbung (Jolo) Sector	Lt. A. ALI
Karunglung (Jolo) Sector	Lt. E. AGGA
Luuc (Jolo) Sector	Lt. A. DATILES
Taglibi (Jolo) Sector	Lt. BALLESTEROS
Bilaan (Jolo) Sector	Capt. Arolas TALAWIE

Lt. TIO was a Reserve Officer, PA, called to active duty in 1940 and served with the 71st Infantry, PA (?), in the Philippine campaign. He escaped to Sulu and was active with the guerrillas there until he was brought to Australia in late 1943. He later returned and is now with Col. SUAREZ on Tawi Tawi.

Jolo (and the Sulu Archipelago) is largely Moro and ruled by many independent and jealous family leaders or datus (chieftains); hence unified control of the island is difficult for anti-Americans or anti-Japanese. Sultan Ombra AMILBANGSA is the leading Moro on Jolo and one of the leading Moros in the Sulu. He claims rights to be successor to Sultan Jamalul KIRAM, Sultan of Borneo and Sulu, who died several years ago. No successor was appointed because of difficulties of payment of dues between Borneo and the Philippines. The Japanese curried Sultan OMBRA's favor by promising to make him Sultan of Borneo and Sulu and to reestablish his tributes, hence many of the related families on Jolo are pro-Japanese and no western Jolo sector is really friendly to a unified guerrilla movement. Capt. Arolas TALAWIE is one of the few friendly leaders in the Luuk-Talipas sector in the western part of Jolo. Pro-American Moros are confined almost entirely to the eastern portion of the island where families who oppose OMBRA live. Datu TAMBUYONG is the chief friendly leader in the Taglibi area (eastern Jolo) at present.

For a long time only a small Japanese garrison was stationed in Jolo and the guerrillas confined the Japs to Jolo town until mid-1943. At that time, the Japanese reinforced the garrison and literally destroyed organized guerrilla activity on Jolo.

125th Regiment (under Col. FERTIG): In February 1943, Col. Alejandro SUAREZ arrived at Tawi Tawi, set up headquarters in Bato Bato and began to integrate the Sulu guerrilla organization from Tawi Tawi. He consolidated Lt. IMAO's efforts under his command and the area became the 125th Infantry of the Mindanao Command in March-April 1943, after contact between Sulu and Mindanao was established.

Col. Alejandro SUAREZ, O-1174, PA, is about 47 years old, a Spanish Moro mestizo and has served with the Constabulary, largely in Cotabato and the Sulus since 1914. He has studied in the U.S., was





~~SECRET~~

Tawi Tawi Area: 1st Lt. Alejandro TRESPECES was the PC commander in the Tawi Tawi area when war broke out. His food stocks and supplies on Bongao were low and after the surrender he moved to Bato Bato. He had 30 men under arms at Bato Bato when Col. SUAREZ arrived in January 1943. A Lt. Anton TAN, school teacher and Reserve Officer in Jolo, was with the Jolo USAFFE force in December 1941, escaped when these troops dispersed, and went to Sibutu to join the guerrillas.

Siasi-Jolo Area and Early Combined Command Attempt: When Capt. MORGAN visited Zamboanga in November 1942 he sent Lt. Abdulrahim DMAO, a Jolo Moro, from Zamboanga to organize the Sulu guerrillas. DMAO with Sgt. Ursula SIMPEK arrived on Siasi in December 1942. A guerrilla unit with few arms was organized on Siasi, attacked the Japanese garrison and captured 30 rifles on 25 December 1942. Japanese forces attacked the Siasi guerrillas early in 1943 but the organization remained intact.

In the meantime progress was made with the so-called Sulu Command. Contacts had been made and the following sectors were organized:

Siasi Sector	Lt. Konglam TIO
Tawi Tawi Sector	Lt. Alejandro TRESPECES
Silangkan (Jolo) Sector	Lt. Abdulrahim DMAO
Maimbung (Jolo) Sector	Lt. A. ALI
Karunglung (Jolo) Sector	Lt. E. AGGA
Luuc (Jolo) Sector	Lt. A. DATILES
Taglibi (Jolo) Sector	Lt. BALLESTEROS
Bilaan (Jolo) Sector	Capt. Arolas TALAWIE

Lt. TIO was a Reserve Officer, PA, called to active duty in 1940 and served with the 71st Infantry, PA (?), in the Philippine campaign. He escaped to Sulu and was active with the guerrillas there until he was brought to Australia in late 1943. He later returned and is now with Col. SUAREZ on Tawi Tawi.

Jolo (and the Sulu Archipelago) is largely Moro and ruled by many independent and jealous family leaders or datus (chieftains); hence unified control of the island is difficult for anti-Americans or anti-Japanese. Sultan Ombra AMILBANGSA is the leading Moro on Jolo and one of the leading Moros in the Sulu. He claims rights to be successor to Sultan Jamalul KIRAM, Sultan of Borneo and Sulu, who died several years ago. No successor was appointed because of difficulties of payment of dues between Borneo and the Philippines. The Japanese curried Sultan OMBRA's favor by promising to make him Sultan of Borneo and Sulu and to reestablish his tributes, hence many of the related families on Jolo are pro-Japanese and no western Jolo sector is really friendly to a unified guerrilla movement. Capt. Arolas TALAWIE is one of the few friendly leaders in the Luuk-Talipas sector in the western part of Jolo. Pro-American Moros are confined almost entirely to the eastern portion of the island where families who oppose OMBRA live. Datu TAMBUYONG is the chief friendly leader in the Taglibi area (eastern Jolo) at present.

For a long time only a small Japanese garrison was stationed in Jolo and the guerrillas confined the Japs to Jolo town until mid-1943. At that time, the Japanese reinforced the garrison and literally destroyed organized guerrilla activity on Jolo.

125th Regiment (under Col. FERTIG): In February 1943, Col. Alejandro SUAREZ arrived at Tawi Tawi, set up headquarters in Bato Bato and began to integrate the Sulu guerrilla organization from Tawi Tawi. He consolidated Lt. DMAO's efforts under his command and the area became the 125th Infantry of the Mindanao Command in March-April 1943, after contact between Sulu and Mindanao was established.

Col. Alejandro SUAREZ, O-1174, PA, is about 47 years old, a Spanish Moro mestizo and has served with the Constabulary, largely in Cotabato and the Sulus since 1914. He has studied in the U.S., was



~~SECRET~~

reported to Col. FERTIG's headquarters and was sent back to Davao as a liaison officer between the 130th Regiment and the 110th Division. Shortly after he was placed in command of a guerrilla unit near Malativas, Davao, which was then activated as a Special Intelligence Detachment with about 80 armed men. Lt. STERNBERG's intelligence activities in the Davao area have been quite valuable.

107th Division: Early in 1944 the area south of an east-west line in Agusan Province through Lianga, Surigao, and extending to Davao City was reorganized into the 107th Division with Lt. Col. Clyde C. CHILDRESS, O-371217, AUS, in command. CHILDRESS was evacuated to Leyte in January 1945 and LAURETA placed in command. The strength and staffs of the Command are:

107th Division, Hq Maniki (?), Davao		
CO : Lt. Col. Claro LAURETA, PA		
Adj & G-1: Capt. Jose MANEJA		
G-2 : Maj. Virgilio S. AGUILAR		
G-3 : Capt. Ramon R. BUHAY		
G-4 : Capt. MANGAOIL		
Division Hq Personnel	Off	EM
	28	42
130th Regiment	67	1,201
CO : Lt. Col. Claro LAURETA, PA		
Ex O & S-2: Maj. RIVERA		
111th Provisional Battalion	18	378
CO : Lt. Owen P. WILSON, AUS		
112th Provisional Battalion	26	589
CO : Lt. Anton HARATIK, AUS		
Sternberg Detachment	2	98
Total	141	2,308

After Lt. Col. CHILDRESS left, the organization was changed and it is believed the 107th Division now comprises the area of the 130th Regiment and the 111th Battalion only, with some new areas south of Davao City. The 112th Battalion is reported to have been activated into 10th MD Special Troops.

Status of equipment as of December 1944:

	<u>Arms</u>	<u>Rounds of Ammunition</u>
45 pistols	100	30,202
TEMG	41	15,101
carbines	888	83,889
30 cal MG	2	-
50 cal MG	6	15,158
20mm (not known how to use)	2	1,232
bazooka (parts missing)	1	40
81mm mortars	4	128
38 pistols	1	12
32 pistols	3	17
32 revolvers	4	31
22 rifles	5	583
12 shotguns	34	163
37mm	2	512
hand grenades		725
30 cal rifles	575	200,786

DECLASSIFIED PER JCS LTR OF  
20 AUG 75

#### IV. SULU AREA COMMAND:

The Philippine Constabulary garrison in Jolo was rapidly overcome by the Japanese invasion 24 December 1941 and effective resistance throughout the Archipelago ceased almost at once. Remnants of the dispersed PC forces formed the nucleus of subsequent guerrilla groups.

- 19 -

DECLASSIFIED PER JCS LTR OF  
20 AUG 75

~~SECRET~~





~~SECRET~~

LAURETA, O-1407, PA, an active, colorful leader, 36 years old and a graduate of the Constabulary Academy. Lt. Col. LAURETA (then Capt.) was in command of the Camp Victor Co, PC, at Davao 1941-42 and after surrender of the USAFFE went to the hills with about thirty members of his unit. There he found a large number of civilian evacuees (3,000-5,000) from Davao City settled along the Libuganon River. He used his small unit to enforce law and order in this jungle community. The evacuees provided food and recruits, and he established farms so that his guerrilla unit became self supporting. By mid-1943, Lt. Col. LAURETA was virtual ruler of the community. A system of passes was in force, and all visitors were considered spies unless prompt proof to the contrary was produced. Ammunition was scarce but occasional Jap patrols, easily ambushed along jungle trails, furnished his men with arms, ammunition and clothing. His headquarters at Meniki was near enough to the Davao Penal Colony that the guerrillas gave assistance to many escaping prisoners of war and smuggled supplies into the Colony.

Lt. Col. LAURETA's USAFFE command and his resistance after the surrender made him the acknowledged guerrilla leader in Davao. Other independent Davao guerrillas later joined him. One of these (of which little is known) was in the mountainous area between the towns of Hijo and Kingking and was active from 1942 with headquarters near the Davao Gold Mine on the Maraut River. Other units were established at: Saug, under Lt. PEPITO with 30-40 men; Compostela under Lt. NAVARRO with 30-50 men. These units became part of LAURETA's organization and have been active against Japanese patrols in their respective vicinities. Lt. PEPITO was a battalion commander of the 130th Regiment but later committed suicide.

Contact letters were sent to Lt. Col. LAURETA sometime in early 1943 from the 110th Division Headquarters. LAURETA reported personally to the Headquarters in Misamis Oriental in July, and his unit was then activated the 130th Regiment, 110th Division. Closer contact was established when Col. FERTIG moved his headquarters to the Agusan Valley in November 1943. With communications improved and supplies arriving in Davao, the organization and intelligence coverage developed rapidly.

111th Provisional Battalion: This Battalion lies along the east coast of Davao Province. This organization absorbed guerrilla units north of Mati and at Manay, the latter with about 200 men under Capt. ASIS. ASIS was reported to have been killed by his First Sergeant, Javito PEDRAYA, in June 1942 for attempting to force his men to surrender to the Japanese. PEDRAYA took command of the unit and is now Executive Officer of the 111th Provisional Battalion.

Lt. Owen P. WILSON (unsurrendered Sgt, USAC) is now in command of the Battalion. He lived near Carage, Davao, from the time of surrender until October 1943 when he reported to the 10th MD Headquarters. He had not been active with guerrillas up to that time. Col. FERTIG gave him a radio and sent him back to Carage to organize intelligence coverage on the southeast coast. He was later appointed CO of the 111th Provisional Battalion when it was activated.

112th Provisional Battalion: This unit was formed from isolated units in the upper Agusan Valley and in southern Surigao, at Cateal, at Lingig (under Lt. VILLARIN), etc., and is now under command of Lt. Anton HARATIK, AUS. The unit has not been important or active.

Sternberg Detachment: Lt. Adolph STERNBERG, Jr. (unsurrendered Sgt, USAC) joined the guerrillas in February 1944. He had been bed ridden in Davao Province with a tropical skin disease for over a year preceding this time. During his illness, he stayed with Lt. Col. LAURETA on the Libuganon River. When he recovered, he



~~SECRET~~

119th Regiment: This Regiment was commanded by Gumbay PIANG who joined the 10th MD Command organization in September 1943 and brought his entire following with him. The DILANGALAN brothers are the other leading Moros in the area. PIANG was taken prisoner by the Japanese in 1942. He was released to appease the Moros and went to Cotabato after he was released, setting a sign over his door reading "Gumbay Piang, Prisoner of War." He stayed in the house benevolently neutral to guerrillas in the area and stood his ground when the Japanese came, as they did several times, to find out what he was doing. His pat answer was to point to the sign over the door and then insist on his rights as a PW. When the Japanese had fairly good proof of his pro-guerrilla activities, they sent their most polished diplomat to visit PIANG. He maintained his position but knew that after this interview the Japanese would not respect his "PW" status and he left the house to join the guerrillas.

106th Division: The Division, the control unit for the 116th, 118th and 119th Regiments, was probably organized about October 1943, with Lt. Col. Frank McGEE, AUS, in command. McGEE served in the first World War and was recalled to duty in 1941. He was in Bukidnon in May 1942 and went to the mountains east of Malaybalay after surrender. When PENDATUN brought his guerrillas into Bukidnon in December 1942, McGEE joined him. They had apparently been friends previously. McGEE has a difficult position and has done a moderate job in organizing the area.

The known staff and strengths of the 106th Division:

	<u>Off</u>	<u>EM</u>
106th Division, Hq Polcypoloy, Salaman, Cotabato		
CO : Lt. Col. Frank McGEE, AUS		
Division Hq Personnel	88	127
116th Regiment, Hq Upper Nakadel	64	1,189
CO : Maj. Herbert PAGE, AUS		
118th Regiment, Hq Dungos, Ligusan	118	1,921
CO : Maj. Salapida PENDATUN, PA		
119th Regiment, Hq Kilala, Telayan	28	358
CO : Gumbay PIANG (?)		
Total	<u>298</u>	<u>3,595</u>

Status of equipment, December 1944:

<u>ARMS</u>		<u>AMMUNITION</u>	
45 pistols	131	cal 30 M1	68,204
carbines	694	cal 30 M2	55,380
rifles	1,231	cal 45	34,902
AR and MR	86	hand grenades	400
TSMG	35		
30 MG	6		
81mm mortars	2		

DECLASSIFIED PER JCS LTR OE  
20 AUG. 75

107TH DIVISION (South Agusan-Davao Area)

This Division comprises the area in Agusan and Surigao Provinces, south of an east-west line through Lianga, Surigao, and extending to Davao City. It was originally part of the 110th Division but was designated the 107th Division early in 1944 with Lt. Col. Clyde C. CHILDRESS, AUS, in command. Small guerrilla organizations were formed shortly after the surrender in the following areas: northwest of Davao in the foothills of the mountains; in the hills northeast of Hijo and Kingking; north of Mati in the hills to Caraga Bay, at Cateel and Compostela, etc. Later the 130th Regiment, the 111th and 112th Provisional Battalions were activated with these units as nuclei.

130th Regiment Areas: This Regiment comprises the area in Davao Province north from Davao City and east to the dividing range along the coast. The guerrillas northwest of Davao were the nucleus of this regiment and were organized in June 1942 by Lt. Colonel B.





~~SECRET~~

After the USAFFE surrender, the Japanese began a reign of terror in the Cotabato Valley, attempting to subjugate the populace. Due to the popular antagonism generated by this reign of terror, guerrilla units composed largely of former Bolo Battalion members were formed in Cotabato. PENDATUN organized the first guerrilla group and attacked the Japanese garrison at Pikit, Cotabato, in August 1942. The attack was a success and large numbers of Moros joined the organization shortly. PENDATUN's men then attacked Kabacan and secured control of the Digos-Kabacan Road in September 1942. The sector along this road was held by Datu ALIMAN, the most influential Moro between Kidapawan, Cotabato and Mt. Apo, Davao Province. His force numbered about 600 armed men who were thoroughly familiar with the country.

The Midsayap-Dulawan-Pikit area was controlled by Mantil DILANGALAN and his two brothers with a force of about 1,000 men, of whom 500 were armed. Also in the Midsayap area, Maj. MATAS led about 500 armed Christians (known as Matas Militia?) who spread southwards towards Lebak. MATAS was a USAFFE 3rd Lt. and saw action on Mindanao. He was reported to be brave, determined and reliable. Late in 1944 "Matas Militia" started a mutiny near Midsayap and set up an independent organization known as the "Mindanao AUFIP Philippine Army, Cotabato Sector."

These leaders placed themselves under the command of PENDATUN in 1942 and many of them went to Bukidnon with him. The combined force was organized into the Bukidnon-Cotabato Force in December 1942 and controlled the Cotabato Valley and southern Bukidnon. Lt. Col. Edwin C. ANDREWS was Chief of Staff. ANDREWS graduated from the Constabulary Academy in 1927, studied at an FBI school in the U.S., and returned to work in the intelligence section of the Constabulary. He became a pilot in 1937, was transferred from Zablan to Malaybalay, Bukidnon, and went to the hills when the surrender came. PENDATUN and ANDREWS had been friends before the war and when PENDATUN came to Bukidnon, ANDREWS joined him immediately.

Other leading figures with PENDATUN were: Capt. Tomas CABILI, pre-war Assemblyman (Lanao) and now with Lanao guerrillas; Lt. Col. (then Capt.) Doroteo SORIANO, still with Cotabato guerrillas; Maj. Nicolas GABUTIN, now with Cotabato guerrillas; Lt. Col. (then Maj.) Frank McGEE, now CO 6th Division; Datu UDTOG, Datu DILANGALAN and Datu ALIMAN all now with Cotabato guerrillas. PENDATUN attempted to take Malaybalay in January 1943 but failed after a costly siege. During this siege differences developed between FERTIG and PENDATUN which were not settled until Commander PARSONS from SWPA visited PENDATUN in May 1943. PENDATUN was persuaded to return to Cotabato with his Moro force.

The 106th Division is made up of the 116th, 118th and 119th Regiments.

116th Regiment: The 116th Regiment, south and southwestern Cotabato, is commanded by Maj. Herbert PAGE, retired American officer who had been with the PC for many years. PAGE is not a forceful leader, but knows the south coast of Cotabato and has been assisted by the following named officers who are familiar with various parts of the 118th Regimental area: Fred JOHNSON, American planter in southeastern Mindanao and recently active in Davao intelligence; VILLAMOR between Davao Gulf and Sarangani Bay; Capt. GUBALLA, PC, in the western 118th Regiment and Maj. MATAS near Lebak.

118th Regiment: This regiment is under the command of Maj. Salopida PENDATUN. He is assisted by associates from the Bukidnon campaign, Lt. Col. SORIANO, Maj. GABUTIN, and Datus ALIMAN and UDTOG. UDTOG is one of the most powerful Moro datu in southeastern Cotabato and a member of the original Bolo Battalion. This regiment kept the Digos-Kabacan Road closed to enemy traffic until early 1944 when shortage of equipment and supplies forced the guerrillas to yield control.





~~SECRET~~

After the USAFFE surrender, the Japanese began a reign of terror in the Cotabato Valley, attempting to subjugate the populace. Due to the popular antagonism generated by this reign of terror, guerrilla units composed largely of former Bolo Battalion members were formed in Cotabato. PENDATUN organized the first guerrilla group and attacked the Japanese garrison at Pikit, Cotabato, in August 1942. The attack was a success and large numbers of Moros joined the organization shortly. PENDATUN's men then attacked Kabacan and secured control of the Digos-Kabacan Road in September 1942. The sector along this road was held by Datu ALIMAN, the most influential Moro between Kidapawan, Cotabato and Mt. Apo, Davao Province. His force numbered about 600 armed men who were thoroughly familiar with the country.

The Midsayap-Dulawan-Pikit area was controlled by Mantil DILANGALAN and his two brothers with a force of about 1,000 men, of whom 500 were armed. Also in the Midsayap area, Maj. MATAS led about 500 armed Christians (known as Matas Militia?) who spread southwards towards Lebak. MATAS was a USAFFE 3rd Lt. and saw action on Mindanao. He was reported to be brave, determined and reliable. Late in 1944 "Matas Militia" started a mutiny near Midsayap and set up an independent organization known as the "Mindanao AUSFIP Philippine Army, Cotabato Sector."

These leaders placed themselves under the command of PENDATUN in 1942 and many of them went to Bukidnon with him. The combined force was organized into the Bukidnon-Cotabato Force in December 1942 and controlled the Cotabato Valley and southern Bukidnon. Lt. Col. Edwin C. ANDREWS was Chief of Staff. ANDREWS graduated from the Constabulary Academy in 1927, studied at an FBI school in the U.S., and returned to work in the intelligence section of the Constabulary. He became a pilot in 1937, was transferred from Zablan to Malaybalay, Bukidnon, and went to the hills when the surrender came. PENDATUN and ANDREWS had been friends before the war and when PENDATUN came to Bukidnon, ANDREWS joined him immediately.

Other leading figures with PENDATUN were: Capt. Tomas CABILI, pre-war Assemblyman (Lanao) and now with Lanao guerrillas; Lt. Col. (then Capt.) Doroteo SORIANO, still with Cotabato guerrillas; Maj. Nicolas GABUTIN, now with Cotabato guerrillas; Lt. Col. (then Maj.) Frank McGEE, now CO 6th Division; Datu UDTOG, Datu DILANGALAN and Datu ALIMAN all now with Cotabato guerrillas. PENDATUN attempted to take Malaybalay in January 1943 but failed after a costly siege. During this siege differences developed between FERTIG and PENDATUN which were not settled until Commander PARSONS from SWPA visited PENDATUN in May 1943. PENDATUN was persuaded to return to Cotabato with his Moro force.

The 106th Division is made up of the 116th, 118th and 119th Regiments.

116th Regiment: The 116th Regiment, south and southwestern Cotabato, is commanded by Maj. Herbert PAGE, retired American officer who had been with the PC for many years. PAGE is not a forceful leader, but knows the south coast of Cotabato and has been assisted by the following named officers who are familiar with various parts of the 118th Regimental area: Fred JOHNSON, American planter in southeastern Mindanao and recently active in Davao intelligence; VILLAMOR between Davao Gulf and Sarangani Bay; Capt. GUBALLA, PC, in the western 118th Regiment and Maj. MATAS near Lebak.

118th Regiment: This regiment is under the command of Maj. Salopida PENDATUN. He is assisted by associates from the Bukidnon campaign, Lt. Col. SORIANO, Maj. GABUTIN, and Datus ALIMAN and UDTOG. UDTOG is one of the most powerful Moro datu in southeastern Cotabato and a member of the original Bolo Battalion. This regiment kept the Digos-Kabacan Road closed to enemy traffic until early 1944 when shortage of equipment and supplies forced the guerrillas to yield control.

DECLASSIFIED PER JCS LTR 08  
20 AUG 75

- 16 -

~~SECRET~~





~~SECRET~~

Surigao. These supplies were brought to Cabadbaran by road, as long as the road was free, and hauled by banca to various parts of northern Mindanao. The most famous of these bancas was a large two-masted motor banca "ATHENA", flagship of the USFIP Navy, skippered by Capt. Vicente ZAPANTA. The banca was originally equipped with a homemade smooth bore cannon but later armed with a 20mm cannon and 50 caliber machine guns. Other well known bancas on Mindanao waters were the "TREASURE ISLAND", an inter-island passenger launch with high superstructure and 75 HP deisel engine; the "ROSALIA", a light tug with 50 HP engine; the "NARA", the "CAPT KNORTZ", the motor banca "SO WHAT", and the "NARWHAL." The "ATHENA" was burned by the guerrillas to prevent her capture when the Japanese occupied the northeast coast of Mindanao in mid-1944.

The known staff and strength of the 110th Division in December 1944:

	<u>OFF</u>	<u>EM</u>
110th Division, Hq East of Butuan ?		
CO : Lt. Col. Ernest E. McCLISH, AUS		
G-2 : 1st Lt. Fausto DUGENIO		
Division Hq Personnel and Special Troops	83	932
110th Regiment	81	1,744
CO : Maj. Roseurio P. DONGALLO		
113th Regiment	83	1,340
CO : Maj. Khalil KHODR		
114th Regiment	70	1,070
CO : Capt. Paul H. MARSHALL, AUS		
S-4 : Lt. William GORLER (Australian)		
Total	<u>317</u>	<u>5,086</u>

Lt. Col. McCLISH was relieved as division commander in January 1944 pending his evacuation to Leyte, and Capt. MARSHALL was appointed CO of the 110th Division as of 21 January 1945.

In addition to the above regiments the area now covered by the 107th Division (see page 17) under Lt. Col. (then Major) Claro M. LAURETA was part of the 110th Division. The 107th Division was activated in early 1944.

As of December 1944:

ARMS		AMMUNITION	
45 pistols	170	cal 30 M1	87,294
45 revolvers	34	cal 30 M2	117,133
carbines	782	cal 45	27,588
rifles	1,438	cal 50	3,333
AR and MR	64	20mm	880
TSMG	79	37mm	125
cal 30 MG	2	81mm	75
cal 50 MG	8	bazookas	38
20mm	3	hand grenades	530
37mm	1		
81mm	11		
bazookas	7		

DECLASSIFIED PER JCS LTR ON  
20 AUG 75

106TH DIVISION (Cotabato)

Before the surrender of the USAFFE on Mindanao, General FORT organized a large group of Moros into a Bolo Battalion and stationed them mainly across the Digos-Kabacan Road, armed only with knives, to harass and hinder the Japanese advance from Davao. The force had little training before it was called to action, and the Bolo Battalion disintegrated rapidly before the enemy advance. A few of the Moro leaders: Salapida PENDATUN, a young Moro lawyer from Cotabato; his brother-in-law Datu Matalam UDTOG; Datu Mantil DILANGALAN and his brother-in-law, Gumbay PIANG; and Datu ALIMAN, all subsequently became prominent Cotabato guerrilla leaders.



~~SECRET~~

Other Surigao leaders were Macario DIAZ at Masgad; Maj. GARCIA in central Surigao; and Capt. TOMANNING at Lianga. These small groups were loosely controlled and behaved as bandits in their areas. They inflicted damage against property, refused to submit to each other and gave the guerrillas a bad name generally. It appeared as though establishment of order in these areas would be difficult. Capt. William KNORTZ was given the mission of consolidating or eliminating these dissident elements. The bandit groups caused no more trouble after Capt. KNORTZ returned from his mission.

Capt. KNORTZ (Corporal, USAC) went to the hills in Bukidnon when USAFFE surrendered. He was a fearless fighter when meeting the Japanese and a square, firm dealer in organizing recalcitrant guerrilla groups. In mid-1943 he was attached to the 10th MD Command as liaison officer. He was trustworthy, daring and efficient, and one of the best officers in the 10th MD guerrilla organization. He was drowned in September 1943 when the banca in which he was delivering supplies from Lanao to Agusan capsized.

About mid-1943, Capt. Paul H. MARSHALL (then Pfc) and Lt. Robert SPIELMAN (then Sgt), who had both escaped from the Davao Penal Colony in April 1943, were assigned to the 114th Regiment. Their energy and activity made the 114th one of the hardest hitting on Mindanao. MARSHALL, CO of the Regiment, is a forceful, firm leader and well liked by his men. Other PW escapees who escaped at the same time and remained in the 110th Division area to assist guerrillas were Maj. J. C. SHOFNER, Maj. M. DOBERVICH and Maj. Jack HAWKINS, all USMC, now evacuated.

110th Division: Lt. Col. Ernest E. McCLISH, the commander of the 110th Division was at Imbatug, Bukidnon, organizing guerrillas in August 1942. He went to Balingasag, Misamis Oriental, to organize guerrilla forces in September or October with Lt. Robert BALL, Pvt (1st Class) Anton HARATIK, and Cpl (later Captain) William A. KNORTZ, all AUS. McCLISH and BALL went to FERTIG's headquarters at Misamis shortly thereafter, and arrangements were made for McCLISH to command the guerrilla organization being formed in northeastern Mindanao. McCLISH returned to Misamis Oriental in November with Lt. Col. Clyde C. CHILDRESS, AUS, as Chief of Staff. BALL was left with FERTIG and later became District Communications Officer until he was sent to Luzon in 1944 to develop intelligence contacts there.

CHILDRESS was a battalion commander in the 61st Division, PA, before war broke out. After surrender he escaped to Sindangan, Zamboanga, with several other Americans. Some local trouble developed and CHILDRESS left. In 1943 he was Chief of Staff of the 110th Division and by his activity in the area helped to build a fairly effective guerrilla organization. He was placed in command of the 107th Division in Davao in early 1944 and evacuated to Leyte in January 1945.

The original 110th Division headquarters was established at Medina, Misamis Oriental, but was moved to Rizal, Misamis Oriental, in mid-1943 to be nearer the center of the Division area. The headquarters staff at this time was:

CO	:	Lt. Col. Ernest E. McCLISH, AUS
C/S & G-3	:	Lt. Col. (then Maj.) Clyde C. CHILDRESS, AUS
Adj & G-1	:	Maj. Dionisio VELASCO, PC
G-2	:	Capt. Virgilio S. AGUILAR
G-3	:	Lt. Richard THOMAS

DECLASSIFIED PER JCS LTR ON  
20 AUG. 75

Maj. VELASCO has not been mentioned for some time and his present whereabouts is uncertain. Capt. AGUILAR is now G-2 107th Division. THOMAS has a coastwatcher station on Camiguin Island.

The 110th Division played an important part in the supply system established on Mindanao. Fuel for the operation of radios and considerable quantities of rice were procured on the east coast of

- 14 -

~~SECRET~~





~~SECRET~~

themselves in "hometown" barrios. They were led by natural leaders who assumed their responsibilities for various reasons - personal aggrandizement, banditry, desire to fight the Japs or establishment of law and order. The Division organization started in September 1943 and three regiments were formed: the 110th, 113th and the 114th.

At the time of the organization of the guerrillas in this divisional area, the Japanese lightly garrisoned Cagayan and Bugo, Misamis Or.; Butuan, with an outpost at Libertad, Agusan; and Surigao town. Occasional enemy launch patrols of several hundred men went from Cagayan to Balingasag and from Butuan to Buenavista.

110th Regiment Area: This regiment extended from the Tagaloan River, Misamis Or., to the eastern Misamis Or. border. The guerrilla band which was to form the nucleus of the regiment was started at Balingasag sometime in September 1942, when a group of armed Filipinos led by Pfc Clyde M. ABBOTT, 14th Bomb Squadron and Lt. Pedro COLLADO (Constabulary Pfc), successfully attacked a Japanese patrol which visited Balingasag to set up a puppet government. COLLADO took the initiative in forming a guerrilla organization and collected around him a bodyguard of toughs. COLLADO was later disarmed and imprisoned for conspiracy of mutiny after the 110th Regiment was established, with Capt. LUZ in command.

Several small units organized at Claveria under M/Sgt James McINTYRE, USAC, and at Malitbog under M/Sgt Alfredo FERNANDEZ, USAC, but did not cooperate with each other until Lt. Col. McCLISH arrived in the area. Other guerrilla contacts were established in the vicinity of Gingoog Bay where Rosaurio DONGALLO was the chief leader.

113th Regiment Area (Northern Agusan): The early guerrilla bands which were eventually unified under the 113th Regiment were the small units that sprang up at Nasipit, Buenavista, Cabadbaran and the lower Agusan River. These were brought under control by a Syrian mining engineer named Khalil KHODR, a highly intelligent, brave, forceful leader. His integrity and energy were responsible for the organization of the 113th Regiment with 900 arms in 1943. Little is known of the lesser leaders in this area.

The chief event in the early history of this Regiment (and the Division) was the attack on Butuan, Agusan, in May 1943. It is believed that Capt. MORGAN, then on tour of northern Mindanao and the southern Visayas, instigated this attack hoping by a successful offensive against Butuan to justify the guerrillas to the people. He had built up his prestige and established guerrillas on the same basis at Misamis in September 1942. The 113th Regiment with 900 rifles and the 110th Regiment with 1,000 rifles massed to attack the town from all sides. The Japanese garrison was forced into the concrete school house in Butuan, but the nine day siege failed to dislodge them. Japanese planes attacked the guerrillas and finally Japanese reinforcements arrived, forcing the guerrillas back. The chief leaders in the attack were Lt. Col. Clyde C. CHILDRESS, Lt. Willard MONEY, AUS, Lt. Tom BAXTER, AUS, Capt. Rosaurio DONGALLO and Capt. William KNORTZ. The attack failed because of lack of proper equipment. As a result of the attack, there was an acute shortage of rifle ammunition in the area for some time.

114th Regiment Area (Surigao north from Lianza): One of the first leaders of the Surigao area was Sam GOODE, who operated in the Tago area in June 1942. He was thoughtless and weak, but organized a semi-lawless group preying on the people in the area under the pretense of policing and protection. He was arrested early in 1943 and Joe McCARTHY who had previously commanded a detachment at Tandag took command of the Tago area as well. McCARTHY was active in guerrilla affairs and was sent to Davao as Division QM when the 107th Division was formed in May 1944.

DECLASSIFIED PER JCS LTR CM  
20 AUG 75

- 13 -

~~SECRET~~





who had come into Bukidnon by this time in great numbers. The 117th Regiment then became a Christian regiment but never equalled the power and force of the 117th Regiment under Maj. PENDATUN.

Lt. Col. ANDREWS and Tomas CABILI (pre-war Assemblyman from Lanao) who had been with Maj. PENDATUN, were called to Misamis by Col. FERTIG to explain the trouble with PENDATUN. ANDREWS subsequently went to Negros and joined an old friend Maj. J. A. VILLAMOR. CABILI remained in Lanao after being ignored (apparently) by FERTIG and has been working with guerrillas there in various capacities since.

109th Division: The Division was organized in early 1943 but did not consolidate its present area of control until the settlement of the PENDATUN dispute. Lt. Col. Robert V. BOWLER was the original commander of the Division, but was relieved by Lt. Col. James GRINSTEAD, AUS, when Lt. Col. BOWLER was appointed CO of the "A" Corps in January 1944.

GRINSTEAD is 40-45 years old, a retired PC officer of many years service in the Philippines, many of them spent among the Moros in Mindanao. He was living in Cotabato when the war started and joined PENDATUN when the latter went into Bukidnon late in 1942. He returned with PENDATUN to Cotabato and remained there until he was made CO of the 109th Division in January 1944. He has been a stable and careful commander in a difficult area. The supply situation in Bukidnon and the morale problems arising therefrom, have required skillful handling.

The present strength and known staffs in the 109th Division follow:

	<u>Off</u>	<u>EM</u>
109th Division, Hq Talakag, Bukidnon		
CO : Lt. Col. James GRINSTEAD, AUS		
C/S : Maj. Crispino M. de CASTRO, PA		
Division Hq Personnel	101	678
109th Regiment, Hq near Alubijid	63	1,005
CO : Maj. LAPLAP, PA		
111th Regiment, Hq near Mambuaya	86	1,144
CO : Capt. J. S. CRUZ, PA		
112th Regiment, Hq near Sumilao	36	626
CO : Capt. William McLAUGHLIN, AUS		
117th Regiment, Hq near Mailag	41	534
Total	327	3,987

McLAUGHLIN, former Sergeant in the U.S. Air Corps, has been in command since August 1943. CRUZ was formerly Division QM 102 Division, PA, on Mindanao.

Status of equipment December 1944:

ARMS		AMMUNITION	
45 pistols	183	cal 30 M1	456,559
carbines	1,027	cal 30 M2	316,099
rifles	1,421	cal 45	124,282
AR and MR	81	cal 50	2,250
TSMG	134	20mm	4
cal 30 MG	13	37mm	47
cal 50 MG	3	81mm	92
20mm	2	hand grenades	59
81mm mortars	9		

DECLASSIFIED PER ACS LTR ON  
20 AUG 78

110TH DIVISION ( E Misamis Or., N Agusan and Surigao)

The guerrillas in this area were a mixture of civilians, ex-USAFFE soldiers, Philippine Constabulary, a few Philippine Scouts and American Army and Navy personnel. Small unconnected groups organized





~~SECRET~~

So far as is known the staff of the "A" Corps is:

CO : Lt. Col. Robert V. BOWLER  
C/S : Maj. R. STEELE, AIF  
Adj : Lt. Col. Ciriaco MORTERA, PA  
G-1 : Capt. Isaias O. ARBOLEDA  
G-2 : Capt. Anacleto C. DINO (Maj. C. B. THOMAS)  
G-3 : Capt. Donald H. WILLS

"A" Corps Personnel 142 Off 798 EM

Maj. STEELE is one of a group of AIF prisoners of war from Singapore. They escaped in 1943 from their camp at Sandakan, British North Borneo. STEELE and his party were brought by natives to Tawi Tawi where they assisted Col. SUAREZ set up his command of the Sulu Area and then went to Mindanao. Several of the men were evacuated to Australia early in 1944 but Maj. STEELE remained and has rendered valuable service with the guerrillas in western Lanao. Lt. Col. MORTERA is an old Philippine Constabulary officer, well trained and competent. He was the original commander of the 105th Division but was relieved in late 1943.

The "A" Corps headquarters was located near the former 10th MD Headquarters at Lala, Lanao, but may have since been moved to Aurora, Zamboanga.

DECLASSIFIED PER ACS LTR OF  
20 AUG 75

#### 109TH DIVISION (Cagayan de Misamis Area and Bukidnon)

The guerrilla movement in this area started in two sections, one in the area about Cagayan de Misamis and the other in the southern Bukidnon-Cotabato border area. In the Cagayan area between Talakag and Sumilao several American Air Corps enlisted men started semi-renegade guerrilla groups. Most of these men have since been evacuated but the organizations started formed the basis of the 111th Regiment. Lt. Col. BOWLER, AUS, now "A" Corps Commander, contacted these men and other guerrilla leaders in late 1942 and began to coordinate and regularize the units. Arms and equipment were salvaged from USAFFE supplies and equipment. The 109th Regiment organization was started by Maj. JALDON in the vicinity of Alubijid, Misamis Or., in 1942. JALDON was transferred to Zamboanga in 1943. Three regiments were ultimately activated in the 109th Division area: the 111th, 109th and the 117th.

117th Regiment: The 117th grew out of the guerrillas organized in southern Bukidnon as a defense against Japanese terror tactics. The Bukidnon guerrillas were weak and Manuel FORTICH and Vicente LEUTERIO persuaded Maj. Salapida PENDATUN, then successfully attacking the Japanese in Cotabato, to come to Bukidnon and assist in driving out the Japanese. Maj. PENDATUN came and drove the Japanese from Kibawo, Maramag, Valencia and Mailag before the end of 1942. His forces then numbered 2,400 men. In mid-January Malaybalay was attacked from the south. Support was supposed to have been promised from the north by Lt. Col. BOWLER, but did not materialize and the attack was a failure.

In the meantime radio contact was established with Col. FERTIG. Col. FERTIG is reported to have accepted the contact as agreement by PENDATUN to join the 10th MD Command and PENDATUN was appointed by Col. FERTIG CO of the 117th Regiment. Lt. Col. BOWLER and Father HAGGERTY visited PENDATUN to formalize the command and found PENDATUN with his forces still harassing the Malaybalay stronghold of the Japanese. PENDATUN was resentful of FERTIG's presumptions and the meeting with PENDATUN's representatives was not a happy one. Father HAGGERTY was rector of the Ateneo de Cagayan before the war and did a great deal in restoring order and confidence among the guerrillas and people on the north coast of Mindanao. Both he and Manuel FORTICH (pre-war Bukidnon Assemblyman) did their best to smooth affairs but the dispute was not settled until Commander PARSONS arrived in May 1943. He persuaded PENDATUN to return to Cotabato with the Moro guerrillas

- 11 -

~~SECRET~~





~~SECRET~~

O-540796, was appointed the commander. He has been in command since. HEDGES is an American about 48 years old. Before the war he was at the Kolambugan Lumber Mills on the north coast of Lanao, with a commission as a Captain in the Reserve. When the USAFFE forces were in Lanao he became the CO of the Motor Transport Co. at Dansalan. His experiences before the war made him familiar with the local people. He has since shown his ability to get along well with the Christians and to maintain the favor and support of the Moros. Mr. KUDER, an American educator who had spent many years teaching Moros, and numerous Moro leaders who had been educated by Mr. KUDER, were of outstanding help to HEDGES in dealing with the Moros. The 108th Division has seen much action on the north coast of Mindanao and the Lake Lanao-Malabang area. The Division is probably one of the best armed and led of all the Mindanao Divisions.

The staff of the Division and Christian Regiments (Moro Regt. staffs have been given on page 9):

108th Division, Hq Dansalan, Lanao; Adv Hq Iligan		
CO :	Lt. Col. Charles W. HEDGES, AUS	
C/S :	Maj. Angeles LIMENA, PC	
Adj :	Capt. Regalo D. BALA	
G-1 :	Capt. Celso V. VALMORES	
G-2 :	Maj. Amando CURAMING	
G-3 :	Maj. Juan K. TADURAN	
G-4 :	Capt. Ricardo ABELLANOSA	
		<u>Off</u> <u>EM</u>
Division Hq Personnel		120      530
105th Regiment, Hq Baroy, Lanao		75      1,168
CO: Capt. BARRO (?)		
108th Regiment, Hq Kauswagan		85      1,139
CO: Maj. QUEJADA (?)		
120th Regiment, Hq Dalipuga		97      1,334
CO: Capt. Pedro ANDRES, PA Res.		
Maranao Militia Force (see page 9)		<u>597</u> <u>8,841</u>
Total		<u>974</u> <u>13,012</u>

As of December 1944:

ARMS		AMMUNITION	
45 pistols	242	cal 30 M1	28,924
carbines	1,633	cal 30 M2	146,326
rifles	5,661	cal 45	21,414
AR and MR	172	81mm	90
TSMG	250		
cal 30 MG	14		
37mm	1		
81mm mortars	4		

The organization of "A" Corps: In late 1943 Japanese pressure on the north coast of Lanao threatened the District Headquarters and it was decided to move that headquarters to the Agusan Valley. Shortly after the move in January 1944, a sub command for western Mindanao was set up for rapid communications and command purposes. This command was called the "A" Corps, and included the 105th, 108th, 109th and 106th Divisions. The Commander "A" Corps is Lt. Col. Robert V. BOWLER, O-294619, former commander of the 109th Division.

Lt. Col. BOWLER was a reserve officer, called to active duty prior to the war. He was in Bukidnon at the time of surrender and went into the hills until about August 1942. He collected several U.S. enlisted men who were starting guerrilla organizations and brought the groups under his command. He is judicious, brusque and somewhat cold in manner. He is reported to be respected by Filipinos for his firmness and fairness.



DECLASSIFIED PER PCS LTR ON  
20 AUG 78



~~SECRET~~

In January 1942, when it became evident that it would be difficult if not impossible to stem the tide of the Japanese invasion of the Philippines, General FORT tried to bolster the Mindanao Force by organizing and placing thousands of Moros in holding defensive positions along key highways in the southern part of Mindanao. He organized the Moro Bolo Battalion, active young Moros armed with knives. The Moros were under their own leaders but were paid by USAFFE. They had little time for training and when the Japanese landed in Davao, the Moro force dissolved rapidly. Many prominent Moros were attached to this group and later became active in guerrilla affairs in Lanao and Cotabato.

Lt. Col. HEDGES began to organize the Moros in December 1942-January 1943. He collected most of the former members of the Bolo Battalion and formed the Maranao Militia Force. The early leaders of the Moros in guerrilla activities were: Manalao MINDALANO, former member of the Bolo Battalion, a hot tempered young Moro; Busran KALAW of Momungan; Datu LAGUINDAB of Ganassi; Joseph SANGUILLA of Munay and Madalum; and Datu BUNTALIS of Masiu.

By late 1942 the Moros had collected a fairly large number of weapons. After the surrender they ransacked the battlefields and way-laid civilians and former USAFFE soldiers for weapons. The threat to the guerrilla organization was real. The efforts of Busran KALAW, MINDALANO, the Sultan of Ganassi and many others to bring the Moros into line is a monumental tribute to their respect for the American people. They were supported in their efforts by judicious allotments of arms and supplies from the guerrilla headquarters. The location of the District Headquarters in Lanao and the presence of guerrilla leaders (such as Lt. Col. HEDGES and Mr. KUDER) who knew the Moros well, was a fortunate stroke of chance.

For political reasons the Maranao Militia Force is maintained as a separate part of the 108th Division, and now numbers approximately 8,000 men. The Militia is probably the best armed single group of guerrillas on Mindanao. The present organization and strength of this force is as follows:

	<u>Off</u>	<u>EM</u>
124th Regt, MMF, Hq Rupagon, Lanao	36	1,538
CO: Capt. Macaurog ARUMPAC		
126th Regt, MMF	118	1,124
CO: Maj. Busran KALAW		
127th Regt, MMF, now seiging Malabang	73	788
CO: Capt. Manalao MINDALANO		
128th Regt, MMF, now seiging Malabang	100	951
CO: Maj. Anonngo BAGUINDAALI		
129th Regt, MMF, Hq Taraka, Lanao	78	1,202
1st Prov. Regt	63	928
2nd Prov. Regt	53	533
2nd, 4th, 6th, 8th Separate Battalions	71	1,470
5 Separate Companies	5	307
Total	<u>597</u>	<u>8,841</u>

Lt. Ngudb GUANDY, Chinese-Moro mestizo and pre-war mayor of Malabang, has been responsible for organizing Moro resistance south of Malabang on the Lanao coast. He has protected the Christians and has kept on good terms with the Japanese to obtain supplies. KALAW is a native of Momungan, Lanao, was mayor of Momungan at outbreak of the war and is ex-provincial treasurer of Lanao. He is an associate of Capt. MORGAN, and actively resisted the Japanese since 1942. MINDALANO is an ex-school inspector, clever and courageous, very hot tempered. He was the first to fight the Japanese after the USAFFE surrender. ARUMPAC was mayor of Lumbatan; clever, a little politico, a good manager and belongs to the Masonic order. BAGUINDAALI is popular as one of the first Moro guerrilla leaders.

Organization of the 108th Division: So far as is known the 108th Division was organized in late 1942 and Lt. Col. Charles HEDGES,

- 9 -

~~SECRET~~



DECLASSIFIED PER ACS LTR ON  
20 AUG 75



~~SECRET~~

units which were already loyal to FENTON and CUSHING. The matter was later ironed out after some hard feelings between Cebu and the 10th MD.

MORGAN met Maj. VILLAMOR, who was in southern Negros on a special mission from SWPA. VILLAMOR dissuaded MORGAN from interfering forcibly in Negros guerrilla affairs and MORGAN returned to Mindanao in June 1943.

It appears that in permitting MORGAN, his Chief of Staff, to go on this trip, Col. FERTIG may have hoped to keep MORGAN preoccupied so that he would not interfere with the peaceful organization of the Mindanao command. At any rate MORGAN came back to Mindanao full of importance from his mission and started on a holiday in Lanao. The Japanese landed in Misamis in June 1944 just after MORGAN settled down and the guerrillas did not resist the landing (interpretation of GHQ orders not to engage the enemy needlessly and thus invite retaliation). MORGAN felt that the guerrillas had not acted properly and counter to Col. FERTIG's orders, ordered his own followers to attack Misamis and to take arms from those guerrillas who had fled.

Col. FERTIG had moved his headquarters to Liangan, Lanao, shortly after the Japanese invasion of Misamis, and in MORGAN's absence, had appointed Lt. Col. BOWLER Chief of Staff, 10th MD. MORGAN claimed openly that the move was looked upon unfavorably by the people and that the appointment of BOWLER was a breach of faith. He resigned from the 10th MD command and set up his own organization in Misamis Occidental in September 1943. The situation threatened to become serious due to MORGAN's violent attempt at mutiny. His evacuation to Australia at the end of September effectively eliminated a strong and dissident factor in Mindanao guerrilla affairs.

The Moros and the Maranao Militia Force: The Moro problems on Mindanao have long been a source of discontent and unrest. The Moros are a distinct Mohammedan group and are found throughout the Sulus, along the southern coast of Zamboanga, the southern half of Lanao Province and across Cotabato to the Davao Gulf. The Maranao (Lanao) Moros are perhaps the bravest, proudest and the most intelligent of the Philippine Moro groups: Maranao (Lanao), Maguindanao (Cotabato) and the Tao-Suga and Samals (Zamboanga and Sulu). Intelligence, courage and pride, however, do not make the Lanao Moro either a valuable ally or a dangerous enemy. His intelligence is more nearly sly cunning, going hand in hand with treachery. The Moro has little respect for the Christian Filipino and may always be antagonistic towards him.

Moro villages are small, usually built up around a farming community, and the inhabitants are usually related to each other. While each community is loyal to its own leader, the leaders of these inter-related communities form an association and have a group leader, or Datu, to whom all community leaders are loyal. For the past forty years Moros have been under the control of the Philippine Constabulary, but most of the Moro groups remember that they were once the absolute rulers of their areas and were free to rob and murder groups less powerful than themselves. With any relaxing of police authority many of them soon return to their ancient customs of robbery and murder, with loyalty only to their immediate leaders.

To prevent bloodshed between Moros and Christians, no Moros were allowed to live on the north coast of Lanao and none lived in Bukidnon. During the chaos following the surrender, Moros came down the north slopes of the Lanao hills and began molesting the Christians. MORGAN's retaliatory measures were so violent, however, that the feelings of the Moros were aroused more than ever, and it has been only with considerable care that the support and neutrality of the Moros was maintained. In the Dinas vicinity of southern Zamboanga no Christian dares set foot now as a result.

DECLASSIFIED PER JCS LTR OR  
20 AUG. 75

- 8 -

~~SECRET~~





~~SECRET~~

The blow was so complete and sudden that civilians and army remnants were stunned and demoralized.

The Japanese mistreatment of civilians caused considerable dissension among the people. Their feelings were aroused and guerrilla units sprang up spontaneously throughout the province. Manalao MINDALANO, the first among the Moros, Capt. Luis MORGAN, in the Kolambugan area, and Capt. Pedro ANDRES, in the Iligan area, were the principal leaders in the guerrilla movement in this area.

Capt. Luis P. MORGAN: Capt. Luis MORGAN, an American mestizo, was a Philippine Constabulary company commander at Kolambugan, Lanao, before the war. In the disorganization following the USAFFE surrender, the Moros had moved down from the hills onto the Christian north plain of Lanao and were molesting the people around Baroy. MORGAN gathered his company together to protect the civilians and take revenge on the Moros. MORGAN is an opportunist and had the reputation of ruthlessness, daring and lack of consideration for civilians.

During this time William TATE, an American-Moro mestizo from Momungan who had joined the Japanese in June, left the Japanese and organized a group (mostly Moros) and went to Misamis Occidental. MORGAN subdued the Kolambugan area and joined bands with TATE in Misamis Occ. They pushed the Japanese out of Misamis Occ. entirely in September and TATE returned to Momungan. TATE was reported to be a rough character when he was under the influence of MORGAN. He is believed to have retired from guerrilla activity in 1943 and may have died since.

MORGAN decided to organize the Mindanao guerrillas by direct contact, coercion and persuasion. As a mestizo however, he did not have the necessary prestige to rally elements around him. He therefore asked Lt. Col. FERTIG (CE - AUS) to take administrative command of the organized guerrilla units while he (MORGAN) would go out in the field as Chief of Staff and persuade unattached guerrilla units to join up. FERTIG, who had been in the hills since the surrender, accepted.

MORGAN set out to subdue and unify guerrillas in the outlying areas as soon as the headquarters under FERTIG was established in Misamis. In November MORGAN took a large armed party to Zamboanga and Sulu where he had heard small guerrilla organizations existed. His arbitrary actions in Zamboanga, affected perhaps by his attempt to induce the guerrillas to attack that city, antagonized the guerrillas in that area. The mission did, however, place outlying guerrillas on notice that there was a strong Mindanao guerrilla force in operation, and that its headquarters was at Misamis. Communications were also established between Sulu and the headquarters at Misamis.

MORGAN returned to Misamis in December 1942. He left Misamis 12 January 1943 with a party of 80 men which became known as the GENERAL HEADQUARTERS EXPEDITIONARY FORCE, and went across northern Mindanao to Leyte and Negros and returned to Misamis in June 1943. On this trip he contacted guerrillas and made contacts for the unification of the Mindanao guerrilla command. He appointed commanders and promoted personnel as he went. Most notable event on this trip was an abortive attack on Butuan 1-11 March 1943. He joined forces with Col. McCLISH but the attack was ill timed and failed.

From Surigao MORGAN went to Leyte in April 1943. There he attempted to unite 9th MD (Leyte and Samar) guerrillas under Lt. Col. KANGLEON. He then went to Siquijor and contacted Maj. Benito CUNANAN, then commanding the guerrillas on that island. He appointed CUNANAN commander on Cebu and left for Negros to attempt to bring Lt. Col. GADOR into line with the 7th MD Command.

CUNANAN went to Cebu, thinking MORGAN's bona fides with SWPA unquestionable. He set up a command and attempted to organize guerrilla

- 7 -

~~SECRET~~



DECLASSIFIED PER JCS LTR 08  
20 AUG 75



~~SECRET~~

105th Division: It is believed that this Division was organized when Col. FERTIG assumed command of the Mindanao guerrillas in September 1942. So far as is known Lt. Col. Ciriaco MORTERA, O-1081, PA, was appointed commander at that time and remained in command until January 1944, when he was replaced by Lt. Col. Hipolito GARMA, PA, for unknown reasons. Lt. Col. MORTERA is about 51 years old and has seen long service with the Constabulary. He is reported to be well trained, prefers headquarters to field duty, is neither aggressive nor particularly strong, and is now Adjutant General "A" Corps (see page 10). Lt. Col. GARMA is about 54 years old, was Chief of Constabulary under General SHARP and hid in the mountains after the USAFFE surrender. It has been reported by one source that he lacks initiative and "fight." He was Adjutant General of the 109th Division, Bukidnon, in 1943. Lt. Col. Justino TEANO was reported to be Chief of Staff of the 105th Division in late 1944. It is believed that there are some disagreements between Lt. Col. TEANO and higher commanders which have prevented his capacities being used to better advantage.

Staff and strength of the 105th Division:

	<u>Off</u>	<u>EM</u>
105th Division, Hq Dipolog, Zamboanga		
CO : Lt. Col. Hipolito GARMA, O-1021, PA		
C/S : Lt. Col. Justino TEANO, O-1120, PA		
Division Hq Personnel	25	176
106th Regiment, Hq Bagacay, Misamis	85	1,322
CO : Unknown		
107th Regiment, Hq Miputak, Dipolog	70	987
CO : Lt. Col. Justino TEANO(?), O-1120, PA		
115th Regiment, Hq Pagadian, Zamboanga	68	1,014
CO : Maj. Angel MEDINA		
Ex O: Capt. CONTOY		
Adj : Lt. HITALIA		
S-2 : Lt. GARCIA		
S-3 : Lt. FREDLUCIS		
121st Separate Regt, Hq Bajandi, Zamboanga	76	771
CO : Lt. Donald LECOUVRE, AUS		
Total	<u>324</u>	<u>4,270</u>

The only Japanese forces in the divisional area are at Zamboanga City. Guerrilla held airfields at Dipolog, Zamboanga, and Labo, Misamis Occidental, are being used frequently for supply to guerrilla forces and as emergency landing strips for disabled Allied aircraft.

As of December 1944:

ARMS		AMMUNITION	
45 pistols	148	cal 30 M1	75,569
carbines	1,261	cal 30 M2	43,480
rifles	706	cal .45	25,901
AR and MR	35	81mm	140
TSMG	202	hand grenades	30
cal 30 MG	2		
cal 50 MG	4		
81mm mortars	4		

DECLASSIFIED PER JCS LTR ON  
20 AUG 75

108TH DIVISION AND "A" CORPS ORGANIZATION

In April 1942, the USAFFE Mindanao Command under Brig. General Guy O. FORT was at Dansalan, Lanao. The troops had been hastily collected and for the most part had had five months' training and no action. The Japanese were at Malabang, Cotabato, 30 April 1942 and entered Dansalan 4 May. To the northeast the Japanese landed at Bugo, Misamis Oriental, 29 April, and when the 73rd Infantry melted, the Japanese started west around the coast road to Iligan, Lanao. In Lanao the troops became dispersed and resistance ceased. General SHARP surrendered 9 May 1942 in Bukidnon and General FORT surrendered at Dansalan on the 27th.





~~SECRET~~

command of the 121st Regiment. He had seen service with the USAFFE in Zamboanga before surrender and is reported to have given valuable service. His guerrilla service however has not been outstanding. While JALDON was in command of the Zamboanga guerrilla regiment his pro-Japanese brothers persuaded him to come to Zamboanga and sign a peace agreement with the Japanese. He was relieved of his command when the news reached FERTIG in June 1943 and the Regiment became disorganized. No supplies or support were received by the Regiment from the District Headquarters until Maj. FELTAVERO arrived in December 1943. He announced that the 121st Regiment no longer existed and activated the 1st Separate Battalion with Lt. Donald LECOUVRE as CO.

Lt. LECOUVRE, an unsundered American enlisted man, had given valuable assistance to Col. FERTIG, and after his assignment to the Separate Battalion, organized intelligence contacts in Zamboanga City. He was commissioned in the AUS in August 1944. The Battalion has been carefully reorganized and redesignated the 121st Regiment. It has withstood determined large scale Japanese attacks and has reported valuable intelligence from Zamboanga City. Small detachments of this Regiment are located at Sirawai and Siocon on the west coast. The 121st Regiment is now not part of the 105th Division but is a separate regiment under control of the "A" Corps (see page 10).

The guerrilla unit on Basilan Id. was organized from Philippine Constabulary remnants. Due to the proximity of large Jap forces, it is not particularly strong or well organized. In March 1943, Lt. ALARCON went to Basilan Island from Zamboanga to organize a guerrilla unit, but found Lt. SANTILLANA already in command of an organized unit. Lt. ALARCON returned to Zamboanga, and the Basilan Island guerrillas have been attached to the Zamboanga City area command since, though contact is probably remote. Basilan guerrillas are located largely on the southern, eastern and interior parts of the island.

115th Regiment: Little is known of the guerrilla history of the Zamboanga south coast. Capt. Frank McCARTHY, Jr., organized guerrillas in the Malangas area in late 1942. Some guerrilla units are active in the Kabasalan area and, in addition, are collecting latex from the rubber plantation. Other guerrillas have been active in the Pagadian-Tukuran area since mid-1942. The present CO of the regiment is believed to be Maj. Angel MEDINA.

107th Regiment: Guerrillas have been active on the Zamboanga north coast since mid-1942. Small detachments are at barrios in the southern sector but the main concentrations are in the area from Sindangan northwards. The 107th Regiment has been particularly active in the area between Dipolog and Calamba. The Regiment has been quite active in ambushing Japanese patrols and is responsible for numerous Jap casualties. Lt. Col. Justino TEANO, PA, in command of the Regiment, is about 49 years old, has had long service with the Constabulary and is known for his high integrity.

106th Regiment: A small Japanese garrison was left in Misamis Occ. after the invasion in 1942. Capt. Joaquin DISMAL was one of the first guerrilla leaders in the province and was active in confining Japanese patrols to the coastal towns. In September 1942, Capt. TATE and Capt. MORGAN, guerrilla leaders from Lanao, drove the Japanese from Misamis and freed Misamis Occidental and the entire north coast of Zamboanga. The 106th Regiment was organized in Misamis Occidental shortly thereafter. Col. FERTIG then established the Mindanao guerrilla headquarters at Misamis in September 1942 (see Introduction) and remained there until the Japanese re-occupation of Misamis Occidental and the Zamboanga north coast (July 1943). Capt. NARANJO was one of the few leaders who resisted this Japanese invasion and he performed outstanding service in reorganizing the scattered forces. Following the enemy re-occupation, Col. FERTIG moved his headquarters to Lanao.

- 5 -

~~SECRET~~



DECLASSIFIED PER JCS LTR ON  
20 AUG. 75



~~SECRET~~

taking salt to the interior and bring cinchona bark and food supplies to the coast. The trails from the hills south of Talakag were developed to make food grown in that area available to troops in Misamis Or. and Bukidnon. Local food production and safe storage in remote locations in the hills were likewise encouraged. As a result of this organization, the food situation on Mindanao has been one of the most satisfactory of any of the guerrilla controlled areas in the Philippines.

In early 1943, President QUEZON created the Mindanao Currency Board and authorized it to print emergency currency. The use of this currency provided a medium of exchange for guerrilla forces.

Of considerable assistance in civil affairs, especially in early 1943 were Marcelo T. PAISO, Deputy Governor of Lanao at time of invasion and appointed by FERTIG as Governor of Lanao; Mr. Edward KUDER, Moro expert and Civil Affairs Director for the 10th MD Command; and Ubaldo D. LAYA, pre-war Provincial Treasurer of Misamis Occ., who supervised the activities of the Mindanao Emergency Currency Board and advised FERTIG extensively on civil matters.

### III. DEVELOPMENT OF THE DIVISIONS OF THE COMMAND:

#### 105TH DIVISION AREA (Zamboanga-Misamis Occ.)

With the exception of eight officers and about 100 enlisted men, the USAFFE garrison stationed at Zamboanga City surrendered on 15 May 1942. The unsundered personnel, together with loyal civilians and refugees from surrendered forces on other islands, gathered in various sections of Zamboanga and Misamis Occ. They were gradually contacted by outside forces and unified into the 105th Division under the 10th Military District Command. This Division is composed of the 105th, 107th and 115th Regiments and formerly the 121st Separate Regiment.

121st Separate Regiment (Zamboanga City and Basilan Id): In June 1942 unsundered USAFFE officers organized loose area forces in the vicinity of Zamboanga City as follows: Lt. Celso FERNANDEZ commanding near San Roque; Lt. Enrique GARCIA and Lt. Emilio GARCIA at Moroc; Lt. Gerardo MALCANPO at Cacao; and Lt. Abdulrahim IMAO, a Moro from Jolo, in the Curuen sector. In November 1942, Capt. Luis MORGAN, guerrilla leader and Chief of Staff to Col. FERTIG, arrived at Vitali with Capt. Frank McCARTHY, Jr., Capt. William TATE and others to incorporate the loose area forces into a unit under the 10th MD Command.

In December 1942, Capt. McCARTHY returned to Zamboanga City, appointed Lt. ALARCON commanding officer and designated the unit the 3rd Battalion, 115th Regiment (south coast of Zamboanga). The Battalion Executive Officer and S-3 was Lt. MAMA, a Moro. The S-2 was Lt. B. PINEDA. Sector commanders were appointed or confirmed and McCARTHY returned shortly to Malangas, the Regimental Headquarters (then under command of Major LASOLA).

In May 1943, Maj. JALDON was sent to the 3rd Battalion area as CO and the Battalion was reorganized into the 121st Regiment. His staff:

Exec. Officer and S-1	Capt. HAMID (Moro)
S-2	Lt. C. BERENGUER
S-3	Lt. ALARCON
S-4	Lt. V. ROMERO
CO Hq Bn	Lt. Ernesto CABATO
CO 1st Bn, Lamitan	Lt. ASAKIL
CO 2nd Bn, Curuen	Lt. MAMA
CO 3rd Bn, Cacao	Lt. Alfonso ENRIQUEZ

Maj. JALDON came from Misamis Oriental where he had been CO of the 109th Regiment in November 1942. Trouble developed between him and Maj. LIMENA in that area, and Maj. JALDON was transferred to the

- 4 -

~~SECRET~~



DECLASSIFIED PER JCS LTR OR  
20 AUG 75



~~SECRET~~

Samar-Leyte. When Commander PARSONS went to Mindanao, further instructions were sent regarding the development of the guerrilla organization and local supplies. Most important, plans were laid for the establishment of a radio net and coastwatcher system on Mindanao, and instructions were sent concerning the preparation of secret airfields.

Current Situation: As soon as Col. FERTIG assumed command of the guerrillas in September 1942, administrative units known as divisions were established in the various natural geographic regions of Mindanao. The Philippine Islands had been divided before the war into ten Military Districts. Philippine Army Divisions were organized, at least partially, in each District, i.e., 11th in the 1st District (Northern Luzon), 71st in the 7th District (Negros), and the 101st in the 10th District (Mindanao). The designation was therefore familiar and as the Mindanao areas were organized, the terms, 105th Division (Zamboanga), etc., were quickly accepted. The T/O for these units was based on the pre-war Philippine Army Reserve Division. The units in order of their activation are: 105th, 108th, 109th, 110th, 106th and 107th. The total strength of the guerrilla organization is about 37,807 with equipment as follows:

45 pistols	974
45 revolvers	240
carbines	6,285
rifles	11,032
AR and MR	438
TSING	741
cal 30 MG	39
cal 50 MG	21
20mm	7
37mm	2
81mm mortars	23
bazookas and miscellaneous captured Japanese weapons	

DECLASSIFIED PER JCS LTR OMI  
20 AUG. 75

In January 1945, approximately 70 radios were in operation covering all roads, important enemy areas and coastal positions commanding shipping channels. Flash reports on aircraft and ship movements have been regularly received for some time.

Guerrilla held airfields at Dipolog, Labo, Lala and Barobo have been frequently used by distressed airplanes. These fields likewise used to speed up the flow of supplies into the island.

Civil Affairs: In October and November 1942, Col. FERTIG commenced collecting material for organization of a civil government on Mindanao. Lt. Col. HEDGES assisted, working particularly on Lanao Province. Where possible, reliable and unsundered government officials with pre-war positions of responsibility were called into service. Provincial governors were appointed and local governments established with as little interference by the military as the situation permitted. Schools were generally not established because facilities had either been destroyed or local conditions would not permit.

In the matter of food and other supplies Mindanao was fortunate in having many comparatively untouched food growing areas. Pineapples were available in quantity from the Del Monte plantations near Cagayan de Misamis; potatoes and temperate climate vegetables grew well in the Bukidnon hills near Talakag and near Claveria, Misamis Or.; coffee was available, and sufficient rice was grown in the Panguil Bay area and on the east coast of Surigao to feed people in other areas of Mindanao. The main difficulty was distribution. Trails and water transportation were developed and the 10th MD planned and coordinated exchange between areas as much as local transportation facilities permitted. For instance, a carabao trail was opened from the coast of Misamis Or. near Balingasag into central Bukidnon for

- 3 -

~~SECRET~~



~~SECRET~~

## II. THE 10TH MILITARY DISTRICT COMMAND AND CURRENT SITUATION:

The story of the formation of the Headquarters 10th Military District, the control agency for the Mindanao guerrillas (as differentiated from combat guerrilla units), is the story of Col. Wendell W. FERTIG.

He was an American mining engineer in the Philippines, called to active duty with the Corps of Engineers in early 1942, served on Bataan, and was evacuated to Mindanao to continue airfield construction there about March 1942. Following the surrender of USAFFE forces, FERTIG, who was on an inspection trip at the time, went into the hills and stayed at Kolambugan, Lanao. Here he was contacted by a Capt. Luis P. MORGAN, and the organization of all guerrilla forces on Mindanao was begun.

Capt. MORGAN, an American mestizo, had succeeded in organizing guerrilla forces in Lanao and Misamis Occidental by September 1942. Lacking administrative ability, and recognizing his limitations, he asked Col. FERTIG (then Lt. Col.) to take command of the headquarters of the guerrillas and administer them, while MORGAN would organize and command in the field as FERTIG's Chief of Staff. FERTIG apparently consented to the proposition, and set up his headquarters at Misamis, while MORGAN travelled throughout the island unifying the various guerrilla forces. Contact was slowly established with scattered units, and small independent guerrilla groups were consolidated into larger organizations. Such consolidations required considerable tact, diplomacy and discussion. FERTIG won the loyalty and adherence of many leaders by such means and rarely had to use force.

In February 1943 radio contact was established between SWPA and Mindanao, and shortly thereafter, Col. FERTIG was officially recognized as the commander of the 10th Military District (Mindanao and Sulu). Sulu was later separated from the 10th MD and placed under the command of Col. A. SUAREZ.

Supplies to Mindanao: The existence of the Mindanao guerrillas was made known to GHQ when Capt. HAMNER and Capt. SMITH arrived in Australia from Mindanao in November 1942, bringing reports and statements from the guerrillas. The need for supplies was studied and a party with some equipment and supplies under Commander PARSONS was sent to Mindanao in February 1943. Commander PARSONS went as GHQ observer and remained until July 1943. This was the first shipment of supplies to the Philippines. Commander PARSONS went ashore at Tukuran, Zamboanga, uncertain of conditions. He returned to the vessel at dawn with a lighter flying the American flag. Initially, supply shipments totalled only about seven tons per trip. Later, more adequate means were made available, and shipments were increased in size and frequency.

The most notable landing took place at sundown when a vessel tied up at a guerrilla held concrete pier. The guerrilla orchestra was out to greet the arrival and all hands pitched in to assist in the unloading of a record shipment. When the unloading was finished, coffee and sandwiches were served on board. The supplies were enroute to various parts of Mindanao by sailboat, motor banca and truck the same night.

About 500 tons of supplies have been shipped to Mindanao since that first trip in February 1943. As local security and banca contact with other islands were excellent, Mindanao was developed as a supply base for other guerrilla units, particularly on Bohol, Leyte and Luzon. The Mindanao guerrilla force is the largest organized unit in the Philippines and is now the best equipped.

Instructions: Col. FERTIG was designated CO of the 10th Military District in February 1943 and was then instructed to perfect his organization and to develop his intelligence net on Mindanao and

- 2 -

~~SECRET~~



DECLASSIFIED PER ACS LTR 04  
20 AUG 78



~~SECRET~~

THE GUERRILLA RESISTANCE MOVEMENT ON MINDANAO AND SULU  
January 1945

I. INTRODUCTION:

The guerrilla resistance movement in Mindanao is unique in several respects. The movement was guided and directed mainly by Americans; it organized shortly after the surrender of USAFFE forces; it was quickly supplied with arms and ammunition from SWPA; it developed a civil administration parallel with its military organization, and in every respect, justified the confidence of the U.S. in the loyalty of the Filipino people.

Conditions in Mindanao were favorable to the formation of a guerrilla movement. A comparatively large number of Americans, both military and civilian, were available for such work. There were few casualties among Filipino military and civil leaders, most of whom cooperated with the guerrillas. The island was large in area, with numerous isolated food producing sections and extremely limited road nets. The cities (which the enemy occupied) were all on the coast - Davao, Cotabato, Zamboanga, Cagayan and Surigao. The enemy limited his activities to control of the cities and patrol of road nets and waterways. The hinterland, comprising ninety-five percent of the island, was free of enemy occupation or patrols. In effect, Mindanao, throughout the period following the surrender of USAFFE forces in May 1942, was ninety-five percent American territory with Japanese guerrillas occupying a few coastal cities.

The history of the guerrilla development is replete with confusion, jealousies, misunderstandings and internal squabbles. These were inevitable in view of the poor and difficult communications existing on the island. The fact that most of the guerrilla leaders, organizing their units in remote areas, were unknown to each other before the war merely added to the mistrust and confusion. It is a tribute to the Americans and Filipino patriots that in spite of these difficulties, the island was welded into a military unit with a minimum of internecine strife.

The Proclamation reproduced below is the earliest written indication of the movement which culminated in the formation of the 10th Military District:

UNITED STATES ARMY FORCES IN THE PHILIPPINES  
OFFICE OF THE COMMANDING GENERAL  
IN THE FIELD OF MINDANAO & SULU

18 September 1942

PROCLAMATION

On September 18, 1942, our forces under Major L. L. MORGAN completed the occupation of Misamis Occidental Province and Northern Zamboanga from the hands of the Japanese Military Government, and raised the American and Filipino Flags therein.

In behalf of the United States of America, the Philippine Commonwealth Government is re-established in these regions under the Military Authorities. All Civil Laws and regulations will be followed except in those cases where they conflict with Military Laws. In such cases Military Laws will prevail.

This procedure shall continue to be enforced until such a time when it shall be declared suspended, or terminated.

/s/ W. W. FERTIG  
Brigadier General, USA.  
Commanding Mindanao & Sulu Force



- 1 -

~~SECRET~~

DECLASSIFIED PER K3 LUR OR  
20 AUG 75

**GENERAL HEADQUARTERS  
SOUTHWEST PACIFIC AREA  
MILITARY INTELLIGENCE SECTION, GENERAL STAFF**

**G-2 INFORMATION BULLETIN**

**THE GUERRILLA RESISTANCE MOVEMENT ON MINDANAO AND SULU**

Copy No.

13

DATE

31 January 1945

**CONTENTS**

	<u>PAGE</u>
I. INTRODUCTION . . . . .	1
II. THE 10TH MD COMMAND AND CURRENT SITUATION. . . . .	2
III. DEVELOPMENT OF THE DIVISIONS OF THE COMMAND	
105th Div Area - Zamboanga & Misamis Occ . . . . .	4
108th Div Area & "A" Corps Organization - Lanao. . . . .	6
109th Div Area - Cagayan de Misamis Area & Bukidnon. . . . .	11
110th Div Area - Northern Agusan & Surigao . . . . .	12
106th Div Area - Cotabato. . . . .	15
107th Div Area - Southern Agusan & Davao . . . . .	17
IV. SULU AREA COMMAND. . . . .	19
V. INDEX & LIST OF PERSONALITIES. . . . .	24

**ACCOMPANYING ENCLOSURES**

Map: Mindanao Guerrilla Organization  
Map: Sulu Guerrilla Organization

DECLASSIFIED PER JCS LTR OF  
20 AUG 75



~~SECRET~~



RG-16 WHITNEY PAPERS  
PERSONAL FILES

GUERRILLA RESISTANCE  
MOVEMENT ON  
MINDANAO AND JULY,  
1945

36 p.

[RG-16, Box 16, Folder 19]